



Motor
Inverter



On
Holidays
function



Eco
Function



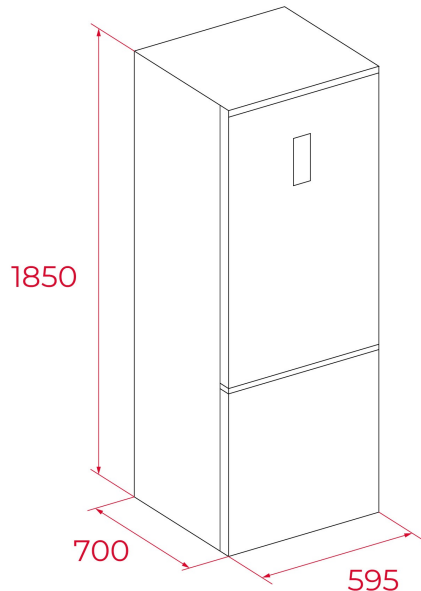
Easy 90



LED



40L



REFERENCE

REF: 113400035

EAN: 8434778035254

FEATURES

Free standing bottom freezer refrigerator
 Total No Frost
 AirFlow Control
 MetalCooling
 DualTemp Control
 1 ZeroBox drawer
 1 FreshBox drawer
 1 FlipBox
 2L Bottle Rack for 3 bottles
 Reversible doors
 LED Illumination
 Easy door opening at 90°
 Inverter motor
 Inner control display
 Electronic adjustable thermostat
 2 freezer drawers and 1 flap
 4 safety glass shelves
 2 adjustable balconies
 On holidays function
 Fast freezing and fast cooling function
 Front adjustable feet
 ECO function
 Acoustic alarm
 Climate Class: SN/N/ST/T
 Total capacity: 338 litres

DIMENSIONS

Product height (mm): 1850

Product width (mm): 595

Product depth (mm): 700

Product length (mm):

Net weight (Kg): 76

TECHNICAL DETAILS

Energy efficiency class (UE 2019/2016): C

Climate Class: SN/N/ST/T

Energy Consumption (Kw/day): 0.463

Annual Consumption (kWh/year): -

Freezing Capacity: 8.5

Noise Level (dBA): 35

Power rate (V): 220V-240V

Frequency (Hz): 50Hz

COLOURS



113400035

Stainless steel