

TEKA**NEO HSB 6450 FBK**

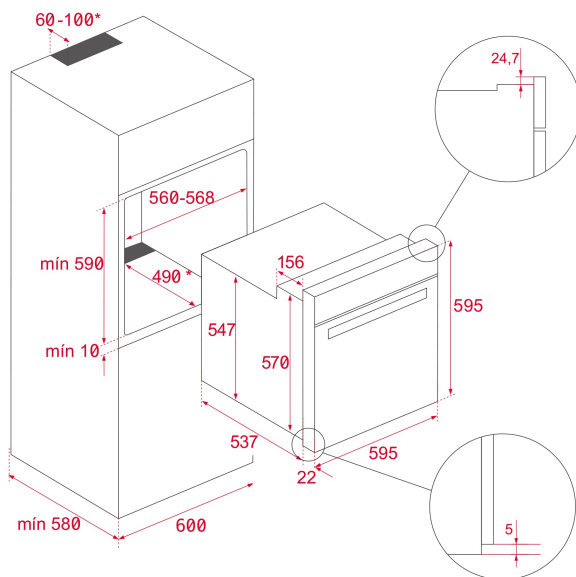
Multifunction oven with 9 cooking functions and HydroClean system



70 L

HydroClean
steam
cleaning
system

SurroundTemp

**REFERENCE**

REF: 111010078

EAN: 8434778034073

FEATURES

Neo Series
 Multifunction oven
 Chef functions for automatic programmes
 ThermoSeal System for a stable temperature inside
 Ultra-resistant BrightClean enamel
 FastClick System for tray supports
 Ergonomic and stylish handle
 Wider LED display window
 9 cooking functions
 Automatic HydroClean system
 Mechanical control knobs
 Electronic LED timer with touch control (Delay/Start function)
 Chrome supports with 5 cooking levels
 Plus Extension Telescopic guides
 Removable double glazed door
 Automatic disconnection security system
 Manual quick preheating
 Door square pattern
 Flat Stainless-Steel panel
 Anti-tip deep tray
 Fingerprint proof stainless steel
 Baking tray included
 Capacity (gross/net): 71 / 70 litres

DIMENSIONS**Product height (mm):** 595**Product width (mm):** 595**Product depth (mm):** 537+22**Product length (mm):****Net weight (Kg):** 28**TECHNICAL DETAILS**

Energy Efficiency Class: A+

Power rate (V): 220/240

Frequency (Hz): 50/60

Maximum Nominal Power (W): 3215

COLOURS

111010078

Black