



# TKX3 1060 6kg A+++ Free Standing Washing Machine



Quick Cycle



Washing  
capacity: 6Kg

## DESCRIPTION

6kg A+++ Free Standing Washing Machine

## LIFE STYLE

Easy

## COLOURS



## REFERENCE

REF. 40874012  
EAN. 8421152131831

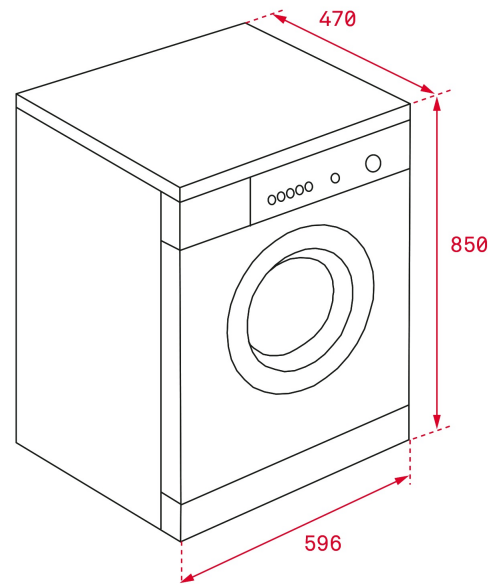


**TEKA**

**TKX3 1060**

**FEATURES**

Free standing washing machine  
Washing capacity: 6Kg  
16 washing programs  
Maximum spin speed: 1000 rpm  
Electronic control panel with display  
Special Program baby care  
Delay timer 1-24h  
Balance control system  
Locking system in case of lack of water or electricity  
Foam control system  
30 cm wide porthole  
Energy class: A++/C

**TEKA****TKX3 1060**

## DIMENSIONS

**Product height (mm):** 850  
**Product width (mm):** 595  
**Product depth (mm):** 470  
**Product length (mm):**  
**Net weight (Kg):** 53

## TECH SPECS

### PRODUCT SHEET

**Type of load:** Front  
**Type of installation:** Free standing  
**Washing capacity (Kgs):** 6  
**Energy Efficiency Class:** A++  
**Spinning efficiency:** C  
**Energy consumption (kWh/year):** 173  
**Water consumption (litres/year):** 9240  
**Maximum spinning speed (RPM):** 1000  
**Certificates:** CE + Reach + ERP

### POWER SUPPLY

**Frequency (Hz):** 50  
**Power rate (V):** 220-240  
**Maximum Nominal Power (W):** 2100  
**Nominal power motor (W):** 450  
**Power of heating element (W):** 1800

### PARTICULAR CHARACTERISTICS

**Stainless Steel Drum:** Yes  
**Glass door diameter (cms):** 30  
**Number of programs:** 16

**CONTROL INDICATOR LIGHTS**

**SPECIAL FUNCTIONS**

**EQUIPMENT**

**Number Of Washing Temperatures:** 6

**Control panel:** ELECTRONIC

**Electronic washing management:** Yes

**Child lock:** Yes

**Auto lock door:** Yes

**Cancel spin cycle button:** Yes

**Removable work top:** Yes

**Selected program indicator:** Yes

**Remaining time:** Yes

**Fast program:** Yes

**Fast program (minutes):** 15

**Economic program:** Yes

**Intense program:** Yes

**Delayed Timer (h):** 1-24

**Delicate fabrics:** Yes

**Adjustable Feet Back:** Yes

**Adjustable feet front:** Yes

