



ML 820 BIS Built-in Microwave + Grill with Touch Control



Defrost By
Time



Defrost By
Weight



18 L



Direct Access
Menu

DESCRIPTION

Built-in Microwave + Grill with Touch Control

LIFE STYLE

Maestro

COLOURS



REFERENCE

REF. 40584200
EAN. 8421152145555

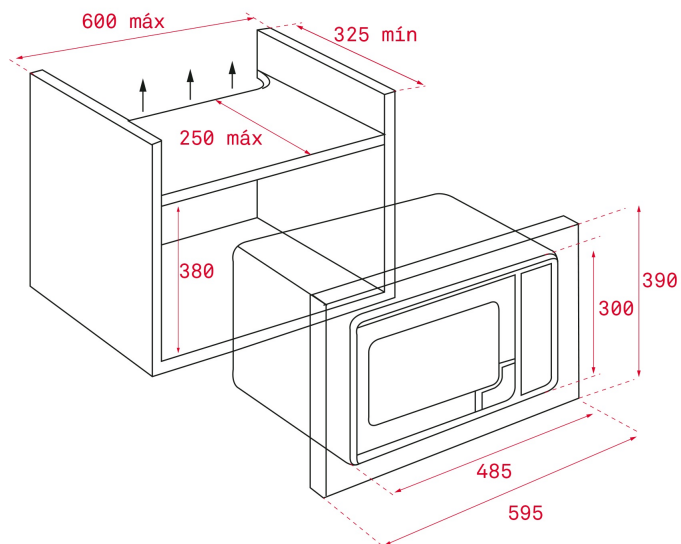


TEKA

ML 820 BIS

FEATURES

Microwave + Grill
Capacity: 20 litres
Touch Control panel with TFT white display
5 power levels, 700 W
3 direct access menus
Quick start + 30
Automatic defrosting by time and weight
Children safety block
Double glazed door
Quartz Grill, 1000 W
1 Round grid



DIMENSIONS

Product height (mm): 390

Product width (mm): 595

Product depth (mm): 325

Product length (mm):

Net weight (Kg): 18,6

TECH SPECS

PARTICULAR CHARACTERISTICS

Certificates: CE/CB

Number of cavities: 1

Number of cooking functions: 3

Number of memories: 1

Grill function: Yes

Number of guide levels (lower cavity): 0

Microwave function: Yes

Number of power levels: 5

Minute Quick Start: Yes

Seconds Quick Start: Yes

ELECTRIC CONNECTION

Maximum Nominal Power (W): 1200

Frequency (Hz): 50

Power rate (V): 220 - 240

Cable Connection Length (cm): 110

Plug: Yes

ENERGY CONSUMPTION

Grill (W): 1000

Maxi Grill (W): 1000

SECURITY SYSTEM

Automatic disconnection when opening the door: Yes

Panel blocking system: Yes

Children safety block option: Yes

Safety Thermostat: Yes

ACCESSORIES

Glass Tray: 0

