



MLC 844 45cm Built-in Microwave + Grill



Defrost By
Time



Defrost By
Weight



44L

DESCRIPTION

45cm Built-in Microwave + Grill

LIFE STYLE

Maestro

COLOURS



REFERENCE

REF. 40584400
EAN. 8421152151563

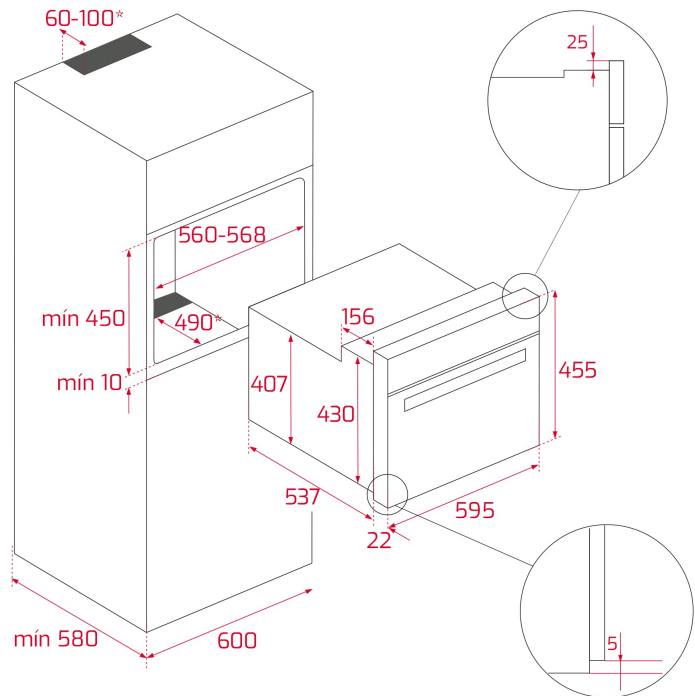


TEKA

MLC 844

FEATURES

Microwave + Grill
3 Cooking functions
Capacity, gross/net: 45/44 litres
1400 W grill
0-90 min. Timer
Quick start 30"
chromed guides
5 Cooking heights
1 reinforced grids
Touch Control panel with LED display
5 power levels, 1000 W
Automatic disconnection security system
Tangential ventilation
Defrost by time and weight
Double Glazed door



DIMENSIONS

Product height (mm): 455
Product width (mm): 595
Product depth (mm): 559
Product length (mm):
Net weight (Kg): 28,4

TECH SPECS

PARTICULAR CHARACTERISTICS

Certificates: CE/CB
Number of cavities: 1
Type of inner light: Halogen
Inside light position: Top rear right
Enamelled cavity: Yes
Function selector: MECHANICAL
Number of cooking functions: 3
Grill function: Yes
Touch Control Programmer: Yes
Minute Minder: Yes
Knobs type: MMX FIX KNOB
Removable chromed tray guides: Yes
Number of guide levels: 5
Number of guide levels (lower cavity): 0
Forced refrigeration tangential 1 speed: Yes
Microwave function: Yes
Microwave defrosting: Yes
Number of power levels: 5
Tangential ventilation: Yes

ELECTRIC CONNECTION

Maximum Nominal Power (W): 3200
Frequency (Hz): 50
Power rate (V): 220-240
Cable Connection Length (cm): 110
Inside light Consumption (W): 25

ENERGY CONSUMPTION

Grill (W): 1400
Cooling Fan Motor (W): 18

SECURITY SYSTEM

Automatic disconnection when opening the door: Yes
Grill protection: Yes
Safety Thermostat: Yes
Full glazed doors: 2

CLEANING SYSTEM

Fingerprint proof stainless steel: Yes
Crystal Clean Enamel (Slippery): Yes

ACCESSORIES

Reinforced grid: Yes

