



# iOVEN P A+ Pyrolytic Oven with 50 recipes and SteamBox



70L



DualClean



Full Extension  
Telescopic  
Guide



MeatProbe



HydroClean



Pyrolysis



SoftClose



SurroundTemp



The SteamBox  
Included

## DESCRIPTION

A+ Pyrolytic Oven with 50 recipes and SteamBox

## LIFE STYLE

Maestro

## COLOURS

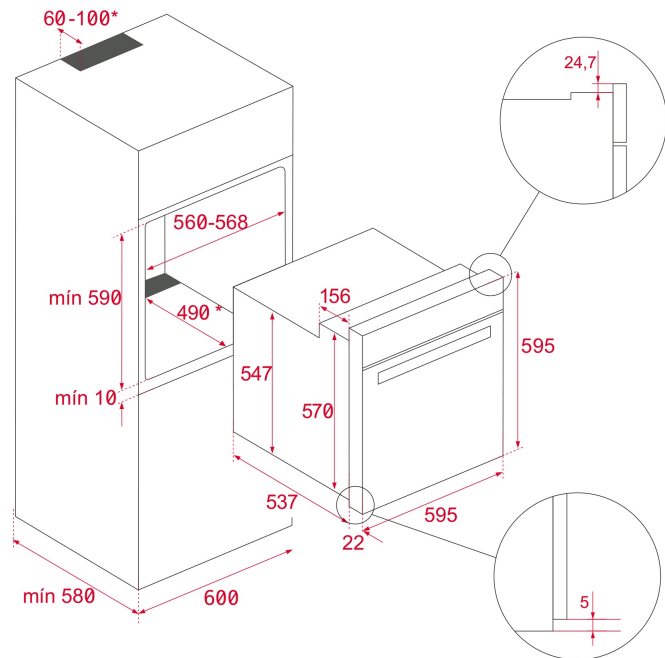


## REFERENCE

REF. 11100000  
EAN. 8434778000146

**FEATURES**

Multifunction SurroundTemp - 18 Cooking functions  
DualClean cleaning system: Pyrolytic self-cleaning (3 levels) + HydroClean® PRO  
A+ Energy class: up to 20% less consumption  
Capacity, gross/net: 71/70 litres  
TFT 5" true color Touch control  
Cook personal assistant (50 recipes)  
MeatProbe  
SlowCook function: low temperature cooking  
KeepWarm, bake bread, Quick heating, pizza, ferment, defrosting & ECO functions  
Children safety block  
Automatic disconnection security system  
Quadruple glazed door  
SoftClose door system  
2 Plus-Extension telescopic guides, 5 cooking levels  
The SteamBox included  
Anti-tip deep & baking tray and 2 reinforced grids  
Tangential ventilation with 2 speeds



## DIMENSIONS

**Product height (mm):** 595

**Product width (mm):** 595

**Product depth (mm):** 537+22

**Product length (mm):**

**Net weight (Kg):** 40

## TECH SPECS

### PARTICULAR CHARACTERISTICS

**Certificates:** N / CE / CCA / CB/EAC/GMARK/SASO

**Number of cavities:** 1

**Type of inner light:** Halogen

**Inside light position:** RIGHT TOP CORNER

**Enamelled cavity:** Yes

**Function selector:** ELECTRONIC

**Number of cooking functions:** 18

**Number of recipes:** 50

**Top function:** Yes

**Grill function:** Yes

**MaxiGrill function:** Yes

**Bottom function:** Yes

**Turbo function:** Yes

**ECO function:** Yes

**Bake bread function:** Yes

**Ferment function:** Yes

**Keeping warm:** Yes

**Automatic quick heating:** Yes

**Slow Cook:** Yes

**Removable chromed tray guides:** Yes

**Number of guide levels:** 5

**Full extension telescopic guides:** Yes

**Easy slide telescopic guides:** Yes

**Drop-down grill:** Yes

**SoftClose:** Yes

## **ELECTRIC CONNECTION**

**Maximum Nominal Power (W):** 3552

**Frequency (Hz):** 50/60

**Power rate (V):** 220-240

**Cable Connection Length (cm):** 150

**Plug:** Yes

**Inside light Consumption (W):** 25

## **ENERGY CONSUMPTION**

**Energy consumption per cycle in conventional mode (kWh):**

0,95

**Energy consumption per cycle in fan-forced convection mode**

**(kWh):** 0,68

**Bottom Heating Element (W):** 1050

**Grill (W):** 1400

**Maxi Grill (W):** 2450

**Traditional (W):** 2450

**Turbo (W):** 2000

**Multifunction Turbo (W):** 25

**Cooling Fan Motor (W):** 30

## **SECURITY SYSTEM**

**Automatic disconnection when opening the door:** Yes

**Panel blocking system:** Yes

**Children safety block option:** Yes

**Grill protection:** Yes

**Anti-tip tray system:** Yes

**Safety Thermostat:** Yes

## **CLEANING SYSTEM**

**Crystal Clean Enamel (Slippery):** Yes

**Hydroclean PRO:** Yes

**Pyrolytic:** Yes

**DualClean:** Yes

## **ACCESSORIES**

**Baking Tray:** 1

**Deep Tray (50 mm):** 1

**The SteamBox:** 1

**Reinforced grid:** 2

**Meat Probe:** 1

## **ENERGY EFFICIENCY**

**Energy Efficiency Class:** A+

**Energy Efficiency Index (EEI):** 81

## **PRODUCT INFORMATION SHEET - DELEGATED REGULATION (EU) 65/2014**

**Supplier name or trademark:** TEKA

**Model identifier:** IOVEN P

**Number of cavities:** 1

**Cavity 1**

**Energy Efficiency Index:** 81

**Energy Efficiency Class:** A+

**Energy consumption per cycle (conventional mode):** 0.95

**Energy consumption per cycle (fan-forced convection mode):**

0,68

**Heat source :** Electric

**Volume:** 71





**iOVEN P**

**ENERGY LABEL**

The energy label for the TEKA iOVEN P oven features the following information:

- Top Header:** Includes the European Union flag, the word "ENERG" in large letters, and "енергия - енерґія" in smaller text. To the right are two circular icons: "Y UA" and "IE IA".
- Brand and Model:** The TEKA logo is on the left, and the model name "iOVEN P" is on the right.
- Energy Efficiency Scale:** A vertical bar on the left shows efficiency levels from A+++ (dark green) at the top to D (red) at the bottom. A black arrow points to the A+ level.
- Capacity:** A laptop icon is shown with "70 L" written below it.
- Energy Consumption:** Two icons represent different modes: a top-down view of the oven with "0.91 kWh/cycle\*" and a circular fan icon with "0.68 kWh/cycle\*".
- Footnote:** A small line of text at the bottom reads: "\*указан расход энергии на один цикл работы в режиме конвекции".
- Standard Reference:** The number "65/2014" is printed at the very bottom.