



**DLV 985** 90cm Urban Colors Edition Vertical Hood with Contour rim system extraction



A Energy Class



LED



Perimeter extraction



Stop Delay Timer

**DESCRIPTION**

90cm Urban Colors Edition Vertical Hood with Contour rim system extraction

**LIFE STYLE**

Maestro

**COLOURS**



**REFERENCE**

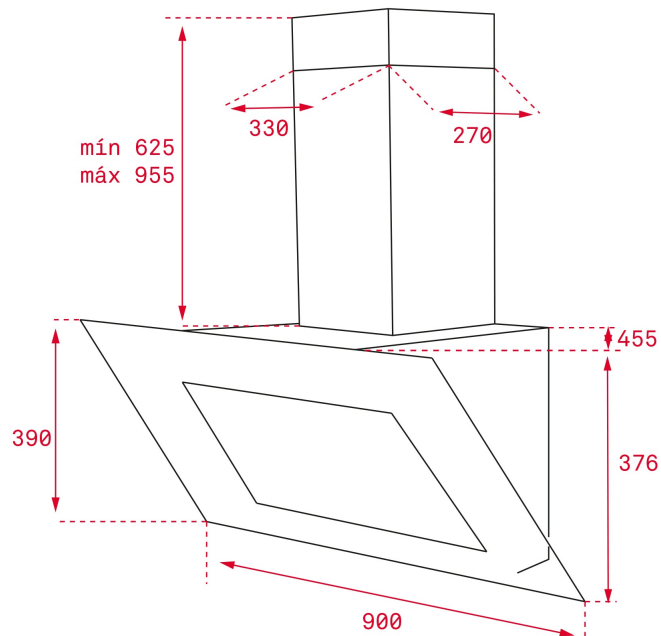
REF. 112930004  
EAN. 8434778009132

**FEATURES**

Urban Colors Edition  
Quadro vertical hood  
Extraction rim system "Contour"  
Digital control Touch Control with white display  
3 speeds + Intensive  
Stop delay timer  
LED light bar  
Saturation filters lighting indicator  
Double turbine motor ECOPOWER  
Exhaust capacity (\*): min.325 m<sup>3</sup>/h - max.782 m<sup>3</sup>/h  
Sound level (\*): min.54 dBA - máx.65 dBA  
Recirculation function optional (SET D10CTP)

## DIMENSIONS

**Product height (mm):** 800-1200  
**Product width (mm):** 900  
**Product depth (mm):** 450  
**Product length (mm):**  
**Net weight (Kg):**



## TECH SPECS

### PARTICULAR CHARACTERISTICS

**Type of hood:** Vertical  
**Style:** Decoratives  
**Certificates:** CE; CB; Rohs  
**Ø Outlet (mm):** 150  
**Type of inner light:** LED  
**Inside light Consumption (W):** 7  
**Plug type:** Schuko plug  
**Power rate (V):** 230  
**Frequency (Hz):** 50  
**Total hood power (W):** 287  
**Number of motors:** 1  
**Motor power (W):** 280  
**Exhaust Capacity - Free Outlet (m3/h):** 814

**EU REGULATION NO. 65/2014  
 &66/2104**

**Annual energy consumption AEC kWh/annum (kWh):** 55,5  
**Energy Efficiency Class:** A  
**Fluid Dynamic Efficiency (FDEhood):** 34,5  
**Fluid Dynamic Efficiency class:** A  
**Light Efficiency (Lehood) lux/Watt:** 41,7  
**Lighting Efficiency class:** A

**Grease Filtering Efficiency class:** G  
**Air flow (Qmin) m3/h:** 325  
**Air flow (Qmax):** 614  
**Air flow (Qboost):** 782  
**Noise (LwA) Min Speed (dB):** 54  
**Noise (LwA) Max Speed (dB):** 65  
**Noise (LwA) boost speed (dB):** 72  
**Off mode Power (Po) W:** 0,32  
**Energy Efficiency Index (EEI):** 50,5  
**Time increase factor:** 0,8  
**Electric power input at best efficiency point (Wbep) W:** 160,0  
**Nominal power of the lighting system (WL) W:** 12  
**Average illumination of the lighting system on the cooking surface (Emiddle) Lux:** 500

## **ACCESSORIES**

**Anti Return valve:** Yes  
**Outlet reduction:** Yes  
**Optional Charcoal Filter:** D4C  
**Charcoal filter description:** CHARCOAL FILTER D4C  
**Conventional recirculation kit (with tube cover):** 40490147

## **MODELS**

**Number of filters:** 2  
**Filter description:** Glass panel; aluminum filter below  
**Control panel:** Touch control white display  
**Stop delay timer:** Yes  
**Filter saturation indicator:** Yes  
**Number of speeds:** 3+1



DLV 985

ENERGY LABEL

