



TEKA HCB 6535 60cm Multifunction Oven with HydrocleanPRO



70L



A Energy Class



HydroClean

DESCRIPTION

60cm Multifunction Oven with HydrocleanPRO

LIFE STYLE

Easy

COLOURS



REFERENCE

REF. 111020030
EAN. 8434778012736

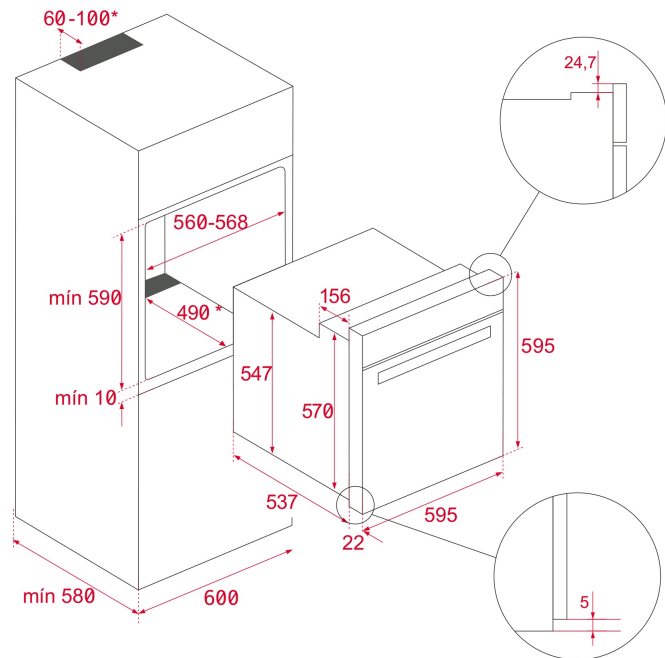


TEKA

HCB 6535

FEATURES

Teka Hydroclean® PRO – Multifunction
Teka Hydroclean® automatic cleaning system
Anti-fingerprint stainless steel panel
Chrome-plated brackets with 1 pull-out guide system, five cooking heights
8 cooking functions
Retractable controls
Touch Control with cooking start and stop programming
Rapid heating
Child safety lock
Deep enameled tray and grill (with anti-tip system)
Superior lighting
Two glass door, all-glass interior
Dynamic ventilation
Vault gas evacuation system
Capacity: 70 liters



DIMENSIONS

Product height (mm): 595

Product width (mm): 595

Product depth (mm): 537+22

Product length (mm):

Net weight (Kg): 27

TECH SPECS

PARTICULAR CHARACTERISTICS

Certificates: N / CE / CCA / CB/ EAC

Number of cavities: 1

Type of inner light: Halogen

Inside light position: RIGHT TOP CORNER

Enamelled cavity: Yes

Function selector: 10+0

Number of cooking functions: 8

Grill function: Yes

MaxiGrill function: Yes

Bottom function: Yes

ECO function: Yes

Mechanical quick heating: Yes

Touch Control Programmer: Yes

Knobs type: POP IN-OUT

Removable chromed tray guides: Yes

Number of guide levels: 5

Easy slide telescopic guides: Yes

ELECTRIC CONNECTION

Maximum Nominal Power (W): 2615

Frequency (Hz): 50/60

Power rate (V): 220-240
Cable Connection Length (cm): 110
Inside light Consumption (W): 25

ENERGY CONSUMPTION

Energy consumption per cycle in conventional mode (kWh):
0.86
Energy consumption per cycle in fan-forced convection mode (kWh): 0,68
Bottom Heating Element (W): 1150
Grill (W): 1400
Maxi Grill (W): 2500
Traditional (W): 2550
Multifunction Turbo (W): 22
Cooling Fan Motor (W): 18

SECURITY SYSTEM

Panel blocking system: Yes
Grill protection: Yes
Anti-tip tray system: Yes
Safety Thermostat: Yes
Full glazed doors: 2

CLEANING SYSTEM

Crystal Clean Enamel (Slippery): Yes
Hydroclean PRO: Yes

ACCESSORIES

Deep Tray (50 mm): Yes
Standard grid: Yes

ENERGY EFFICIENCY

Energy Efficiency Class: A+
Energy Efficiency Index (EEI): 81

