



**DG3 ISLA 985** 90cm Glass Wing Decorative Hood with ECOPOWER motor



LED



Stop Delay  
Timer

**DESCRIPTION**

90cm Glass Wing Decorative Hood with ECOPOWER motor

**LIFE STYLE**

Total

**COLOURS**

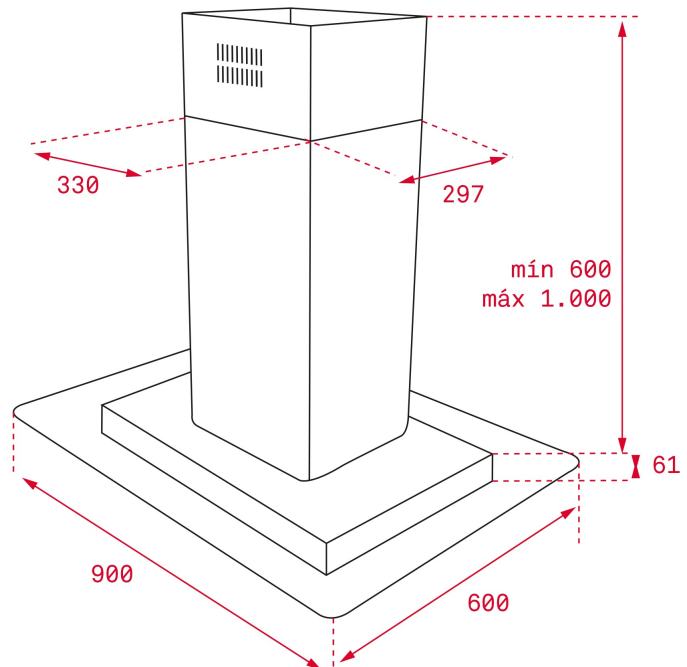


**REFERENCE**

REF. 40485150  
EAN. 8421152145814

**FEATURES**

Decorative glass wing island hood  
Electronic control with display  
3 speeds + 1 intensive  
Free Outlet exhaust capacity (m<sup>3</sup>/h): 920  
Intensive speed exhaust capacity (m<sup>3</sup>/h): 796  
Max speed exhaust capacity (m<sup>3</sup>/h): 605  
Min speed exhaust capacity (m<sup>3</sup>/h): 311  
Intensive speed sound level (dBA): 71  
Max speed sound level (dBA): 66  
Min speed sound level (dBA): 52  
4 LED lamps  
2 Stainless Steel filters  
Stop delay timer  
Filter saturation indicator  
Operating pilot light  
Anti-return valve included  
Outlet reduction included  
Optional recirculation kit with tube cover installation: SET 1/T1  
Optional Charcoal Filter: D4C



## DIMENSIONS

**Product height (mm):** 871 - 1171  
**Product width (mm):** 900  
**Product depth (mm):** 600  
**Product length (mm):**  
**Net weight (Kg):** 36,01

## TECHNICAL DETAILS

### FEATURES

**Certificates:** CE; CB; Rohs  
**Ø Outlet (mm):** 150  
**Type of inner light:** LED  
**Inside light Consumption (W):** 3  
**Plug type:** European plug  
**Power rate (V):** 220-240  
**Frequency (Hz):** 50  
**Total hood power (W):** 292  
**Number of motors:** 1  
**Motor power (W):** 280  
**Air flow (Qmin) m<sup>3</sup>/h:** 311  
**Air flow (Qmax):** 605  
**Air flow (Qboost):** 796

### ACCESSORIES

**Anti Return valve:** Yes  
**Outlet reduction:** Yes  
**Optional Charcoal Filter:** D4C  
**Conventional recirculation kit (opt) - w/tube cover:** SET 1/T1

## MODELS

**Number of filters:** 2

**Filter description:** Stainless Steel filters

**Control panel:** Backlit electronic control with white display

**Stop delay timer:** Yes

**Filter saturation indicator:** Yes

**Number of speeds:** 3+1



DG3 ISLA 985

ENERGY LABEL

