



IOVEN P A+ Pyrolytic Oven with 50 recipes and SteamBox



70L



DualClean



Full Extension
Telescopic
Guide



MeatProbe



HydroClean



Pyrolysis



SoftClose



SurroundTemp



The SteamBox
Included

DESCRIPTION

A+ Pyrolytic Oven with 50 recipes and SteamBox

LIFE STYLE

Maestro

COLOURS



REFERENCE

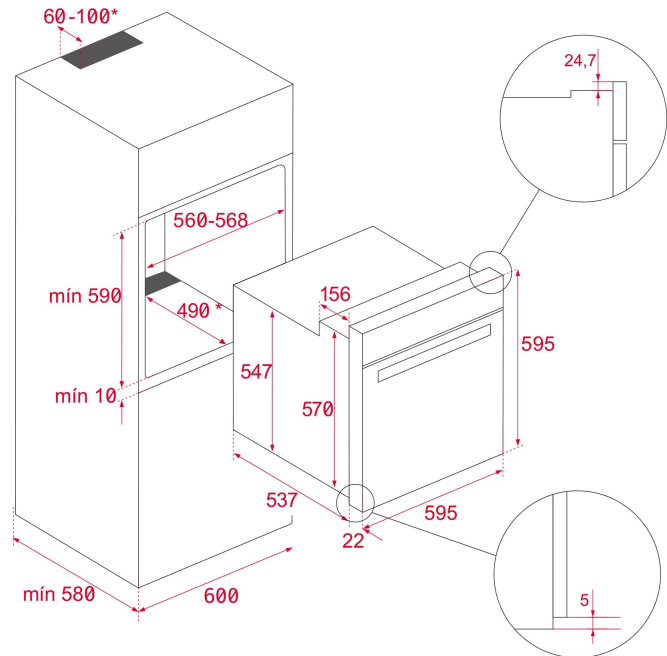
REF. 11100000
EAN. 8434778000146



IOVEN P

FEATURES

Multifunction SurroundTemp oven
18 cooking functions
Pyrolysis self-cleaning system and automatic HydroClean system
Full Touch control display
Electronic timer (Delay/Start function)
Personal cooking assistant: 50 automatic programs
Chrome supports with 5 cooking levels
Full Extension Telescopic guides
Plus Extension Telescopic guides
Removable quadruple glazed door
SoftClose system
Automatic disconnection security system
Children safety lock
Automatic quick preheating
Anti-tip deep tray, baking tray and 2 reinforced grids
The SteamBox included
Meatprobe included
Capacity (gross/net): 71 / 70 litres



DIMENSIONS

Product height (mm): 595

Product width (mm): 595

Product depth (mm): 537+22

Product length (mm):

Net weight (Kg): 40

TECH SPECS

PARTICULAR CHARACTERISTICS

Certificates: N / CE / CCA / CB/EAC/GMARK/SASO

Number of cavities: 1

Type of inner light: Halogen

Inside light position: RIGHT TOP CORNER

Enamelled cavity: Yes

Min. Temperature Regulator (°C): 30

Max. Temperature Regulator (°C): 270

Function selector: ELECTRONIC

Number of cooking functions: 18

Number of recipes: 50

Top + Bottom function: Yes

Grill + Bottom function: Yes

Top function: Yes

Grill function: Yes

MaxiGrill function: Yes

Top + Bottom + Fan function: Yes

Grill + Fan function: Yes

MaxiGrill + Fan function: Yes

Bottom function: Yes

Bottom + TURBO (Pizza) function: Yes

Turbo function: Yes

ECO function: Yes

Bake bread function: Yes
Ferment function: Yes
Keeping warm: Yes
Automatic quick heating: Yes
Slow Cook: Yes
Removable chromed tray guides: Yes
Number of guide levels: 5
Full extension telescopic guides: Yes
Easy slide telescopic guides: Yes
Drop-down grill: Yes
SoftClose: Yes

ELECTRIC CONNECTION

Maximum Nominal Power (W): 3552
Frequency (Hz): 50/60
Power rate (V): 220-240
Cable Connection Length (cm): 150
Plug: Yes
Inside light Consumption (W): 25

ENERGY CONSUMPTION

Energy consumption per cycle in conventional mode (kWh):
0.95
Energy consumption per cycle in fan-forced convection mode (kWh): 0,68
Bottom Heating Element (W): 1050
Grill (W): 1400
Maxi Grill (W): 2450
Traditional (W): 2450
Turbo (W): 2000
Multifunction Turbo (W): 25
Cooling Fan Motor (W): 30

SECURITY SYSTEM

Automatic disconnection when opening the door: Yes
Panel blocking system: Yes
Children safety block option: Yes
Grill protection: Yes
Anti-tip tray system: Yes
Safety Thermostat: Yes

CLEANING SYSTEM

Crystal Clean Enamel (Slippery): Yes
Hydroclean PRO: Yes
Pyrolytic: Yes
DualClean: Yes

ACCESSORIES

Baking Tray: 1
Deep Tray (50 mm): 1
The SteamBox: 1
Reinforced grid: 2
Meat Probe: 1

ENERGY EFFICIENCY

Energy Efficiency Class: A+
Energy Efficiency Index (EEI): 81



IOVEN P

ENERGY LABEL

The energy label for the IOVEN P dishwasher features the following information:

- Top Header:** Includes the European Union flag, the word "ENERG" in large letters, and the Ukrainian text "енергія - енерґія" below it. To the right are two circular icons: "Y UA" and "IE IA".
- Brand and Model:** The TEKA logo is on the left, and the model name "IOVEN P" is on the right.
- Energy Efficiency Scale:** A vertical bar on the left shows efficiency levels from A+++ (dark green) at the top to D (red) at the bottom. A black arrow points to the A+ level.
- Capacity:** A laptop icon is shown with "70 L" written below it.
- Energy Consumption:** Two icons represent different cycles: a top cycle with "0.91 kWh/cycle*" and a bottom cycle with "0.68 kWh/cycle*".
- Footnote:** A small line of text at the bottom reads: "*указані значення - порівнян. значення, наближені до дійсних значень, отриманих у лабораторних умовах".
- Standard Reference:** The number "65/2014" is printed at the very bottom.