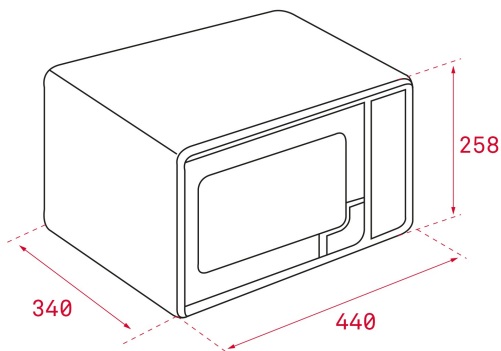


TEKA**MWE 209 FI**
20L Built-in Microwave + GrillDefrost by
timeDefrost by
weightDirect
access
menu20 L
capacity**REFERENCE**

REF: 40581119

EAN: 8421152127230

FEATURES

Built-in microwave + Grill
Capacity: 20 litres
Electronic control panel with white LED display
Quick start +30"
Double glass door
5 Power levels: 800 W.
Drop down grill: 1,000 W
Maximum nominal power: 1,250 W
8 Auto-cook menus
3 Cooking function (Mic, Grill, Mic-Grill)
Defrost by time and weight
Timer 0-95 minutes
Turntable 24.5cm
Safety block
Fingerprint-proof stainless steel
Stainless steel inner cavity

DIMENSIONS**Product height (mm):** 340**Product width (mm):** 463**Product depth (mm):** 360**Product length (mm):****Net weight (Kg):** 15,0**TECHNICAL DETAILS**

MWO Power (W): 800

Frequency (Hz): 50

Maximum Nominal Power (W): 1250

Grill (W): 1000

COLOURS

40581119

Stainless Steel