



**DH2 985 ISLAND** 90cm A Decorative Hood with Touch Control display and ECOPOWER motor



LED lighting



Stop delay timer

**DESCRIPTION**

90cm A Decorative Hood with Touch Control display and ECOPOWER motor

**LIFE STYLE**

Maestro

**COLOURS**

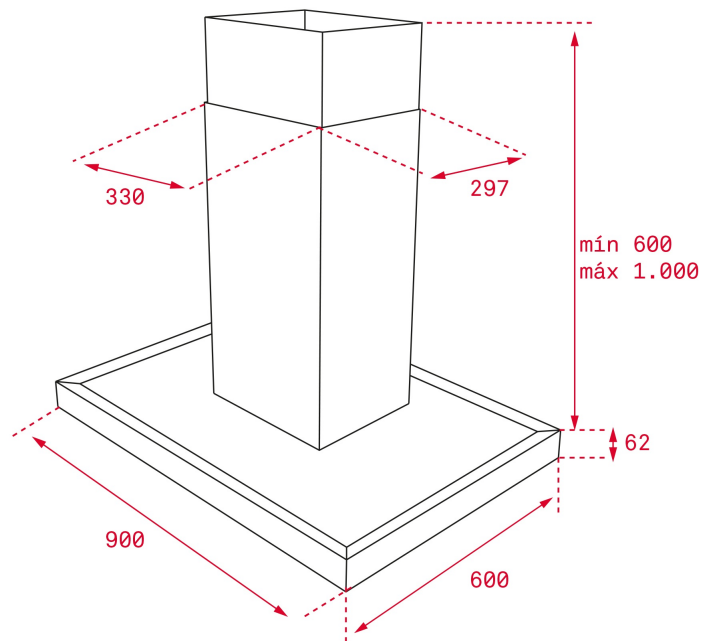


**REFERENCE**

REF. 40484640  
EAN. 8421152145715

**FEATURES**

Island hood  
EcoPower motor  
Energy Efficiency class: A  
Electronic panel  
White display  
Operating pilot light  
3 speeds + 1 intensive  
Exhaust capacities:  
Free Outlet, m<sup>3</sup>/h: 920  
Qboost, m<sup>3</sup>/h: 796  
Max., m<sup>3</sup>/h: 605  
Min., m<sup>3</sup>/h: 311  
Noise (LwA) Boost Speed, dB: 71  
Noise (LwA) Max Speed, dB: 66  
Noise (LwA) Min Speed, dB: 52  
4 LED lamps  
4/3 stainless steel-aluminium filters  
Reinforced Black Glass  
Easy to clean inside panel  
Stop delay timer  
Filter saturation indicator



## DIMENSIONS

**Product height (mm):** 817 /  
 1117 + 62  
**Product width (mm):** 900  
**Product depth (mm):** 600  
**Product length (mm):**  
**Net weight (Kg):** 36,01

## TECH SPECS

### PARTICULAR CHARACTERISITICS

**Certificates:** CE; CB; Rohs  
**Ø Outlet (mm):** 150  
**Type of inner light:** LED  
**Inside light Consumption (W):** 3  
**Plug type:** European plug  
**Power rate (V):** 220-240  
**Frequency (Hz):** 50  
**Total hood power (W):** 292  
**Number of motors:** 1  
**Motor power (W):** 280

### ACCESSORIES

**Anti Return valve:** Yes  
**Outlet reduction:** Yes  
**Optional Charcoal Filter:** D4C  
**Conventional recirculation kit (opt) - w/tube cover:** SET 1/T1

### MODELS

**Number of filters:** 3  
**Filter description:** Stainless Steel filters  
**Control panel:** Electronic soft bottons with display

**Stop delay timer:** Yes  
**Filter saturation indicator:** Yes  
**Easy-clean inside panel:** Yes  
**Number of speeds:** 3+1



DH2 985 ISLAND

ENERGY LABEL

