



ARK 915 Mixer



Anti-scale
aerator



Swivel spout

DESCRIPTION

Mixer

LIFE STYLE

Easy

COLOURS



REFERENCE

REF. 239151210
EAN. 8421152084700

TEKA

ARK 915

FEATURES

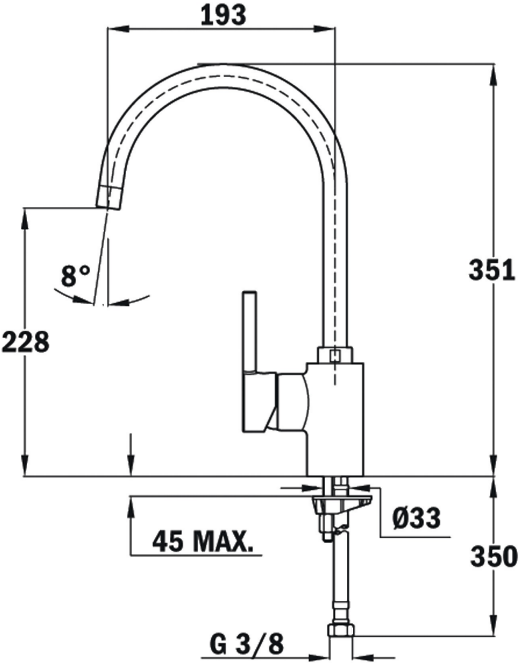
Mixer

Swivel spout 3/8" flexible inlet pipes

Anti-scale aerator



ARK 915



DIMENSIONS

- Product height (mm): 351
- Product width (mm):
- Product depth (mm):
- Product length (mm):
- Net weight (Kg): 1,7

TECH SPECS

MODELS

Type of installation: Free standing

