



DH2 90 ISLAND Decorative island hood in 90 cm



DESCRIPTION

Decorative island hood in 90 cm

LIFE STYLE

Maestro

COLOURS



REFERENCE

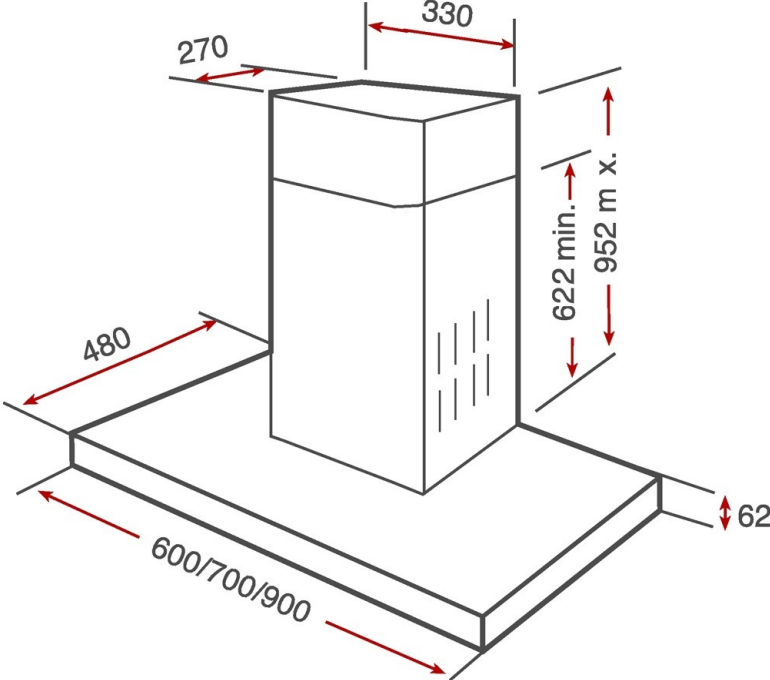
REF. 40484611
EAN. 8421152100851

FEATURES

Island hood
Energy Efficiency class: A Backlit electronic panel with white display
Operating pilot light
3 speeds + 1 intensive
Exhaust capacities:Max. nominal power 1,200m³/h
Free Outlet, m³/h: 920
Qboost, m³/h: 796
Max., m³/h: 605
Min., m³/h: 311
Noise (LwA) Boost Speed, dB: 71
Noise (LwA) Max Speed, dB: 66
Noise (LwA) Min Speed, dB: 52
4 Halogen lamps
4/3 stainless steel-aluminium filters
Reinforced Black Glass
Easy to clean inside panel
Stop delay timer
Filter saturation indicator



DH2 90 ISLAND



DIMENSIONS

- Product height (mm):
- Product width (mm):
- Product depth (mm):
- Product length (mm):
- Net weight (Kg):

TECH SPECS

MODELS

Control panel: Electronic soft buttons with display

