



# SteakMaster Multifunction Pyrolytic oven with special Grill and Cast iron grid for Steaks



DualClean:  
Pyrolysis +  
HydroClean



Plus extension  
telescopic  
guide



HydroClean



Pyrolytic  
cleaning  
system with 3  
cleaning levels



SoftClose



SurroundTemp,  
extra rear  
resistance for a  
uniform  
cooking

## DESCRIPTION

Multifunction Pyrolytic oven with special Grill and Cast iron grid for Steaks

## LIFE STYLE

Maestro

## COLOURS



## REFERENCE

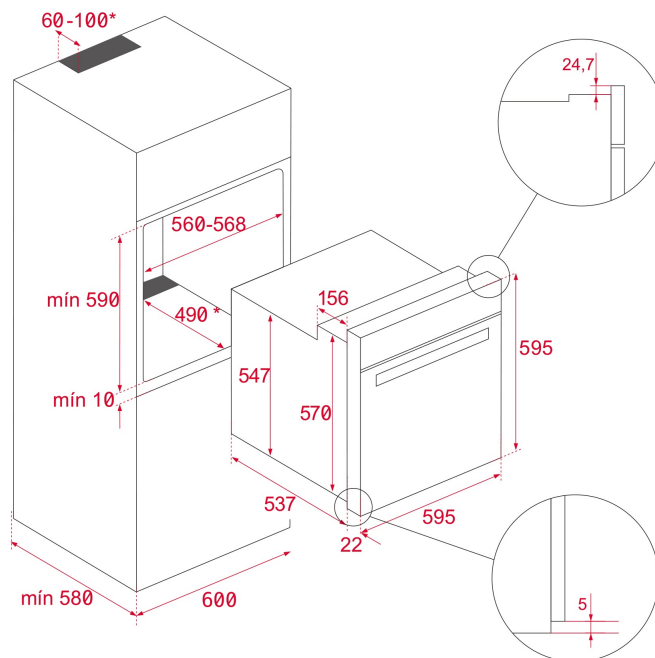
REF. 111000026  
EAN. 8434778009910



## SteakMaster

### FEATURES

Multifunction SurroundTemp  
700° powerfull grill  
13 Cooking functions  
Pyrolysis self-cleaning system & automatic HydroClean system  
Touch control display  
Personal cooking assistant: 20 programmed international recipes  
20 steakmaster programmed recipes  
Chrome supports with 5 cooking levels  
2 Plus Extension telescopic guides  
Quadruple glazed door  
SoftClose system  
Automatic disconnection security system  
Children safety lock  
Automatic quick preheating  
Anti-tip deep tray  
Special cast iron grid for steaks  
Tangential ventilation Plus with 2 speeds  
Gross/net capacity: 71/63 litres



## DIMENSIONS

**Product height (mm):** 595

**Product width (mm):** 595

**Product depth (mm):** 537+22

**Product length (mm):**

**Net weight (Kg):** 45,8

## TECH SPECS

### PARTICULAR CHARACTERISTICS

**Certificates:** N / CE / CCA / CB / EAC

**Number of cavities:** 1

**Type of inner light:** Halogen

**Inside light position:** Left-Right TOP CORNER

**Enamelled cavity:** Yes

**Min. Temperature Regulator (°C):** 30

**Max. Temperature Regulator (°C):** 250

**Function selector:** ELECTRONIC

**Number of cooking functions:** 13

**Number of recipes:** 20

**Number of memories:** 0

**Top + Bottom function:** Yes

**Grill + Bottom function:** Yes

**Grill function:** Yes

**MaxiGrill function:** Yes

**Top + Bottom + Fan function:** Yes

**Bottom function:** Yes

**Bottom + TURBO (Pizza) function:** Yes

**Turbo function:** Yes

**ECO function:** Yes

**Ferment function:** Yes

**Automatic quick heating:** Yes

**Slow Cook:** Yes  
**Knobs type:** MMX FIX ROTATIVE  
**Ring illuminated:** Yes  
**Removable chromed tray guides:** Yes  
**Number of guide levels:** 5  
**Easy slide telescopic guides:** Yes  
**SoftClose:** Yes

## **ELECTRIC CONNECTION**

**Maximum Nominal Power (W):** 3518  
**Frequency (Hz):** 50/60  
**Power rate (V):** 220-240  
**Cable Connection Length (cm):** 150  
**Plug:** Yes  
**Inside light Consumption (W):** 2x25

## **ENERGY CONSUMPTION**

**Energy consumption per cycle in conventional mode (kWh):**  
1.01  
**Energy consumption per cycle in fan-forced convection mode (kWh):** 0,77  
**Bottom Heating Element (W):** 1050  
**Grill (W):** 2400  
**Maxi Grill (W):** 3450  
**Traditional (W):** 2100  
**Turbo (W):** 2000  
**Multifunction Turbo (W):** 25  
**Turnspit motor (W):** 0  
**Cooling Fan Motor (W):** 30

## **SECURITY SYSTEM**

**Automatic disconnection when opening the door:** Yes  
**Panel blocking system:** Yes  
**Children safety block option:** Yes  
**Grill protection:** Yes  
**Anti-tip tray system:** Yes  
**Safety Thermostat:** Yes

## **CLEANING SYSTEM**

**Crystal Clean Enamel (Slippery):** Yes  
**Hydroclean PRO:** Yes  
**Pyrolytic:** Yes  
**DualClean:** Yes

## **ACCESSORIES**

**Deep Tray (50 mm):** 1  
**Cast iron tray:** 1  
**Reinforced grid:** 1

## **ENERGY EFFICIENCY**

**Energy Efficiency Class:** A  
**Energy Efficiency Index (EEI):** 95



SteakMaster

ENERGY LABEL

The energy label for the TEKA STEAKMASTER dishwasher features the following information:

- Header:** Includes the European Union flag, the word "ENERG" in large letters, and smaller text "енергия · ενεργεια" and "IE IA".
- Brand and Model:** The TEKA logo and the model name "STEAKMASTER" are displayed.
- Energy Efficiency Scale:** A vertical scale of seven colored bars representing energy classes: A+++ (dark green), A++ (green), A+ (light green), A (yellow), B (orange), C (red-orange), and D (red). A black arrow points to the "A" class.
- Capacity:** A box with a dishwasher icon and the text "63L".
- Energy Consumption:** Two boxes with icons of a dishwasher and a fan. The first box shows "1.01 kWh/cycle\*" and the second shows "0.77 kWh/cycle\*".
- Footnote:** A small line of text in multiple languages: "\* Unveia · cyklus · parton · zylas · pralyzacja · ciclo · tsiklo · chěžime · ciklus · ciklo · ciklo · ciklo · cyklus · cykl · ciclo · program · cyklus".
- Standard Reference:** The text "65/2014" is located at the bottom left.