



DVT 98660 TBS 90cm Vertical decorative hood with Contour Rim extraction system and Touch control display



LED lighting



Rim extraction



Stop delay timer



Fresh AIR function

DESCRIPTION

90cm Vertical decorative hood with Contour Rim extraction system and Touch control display

LIFE STYLE

Maestro

COLOURS



REFERENCE

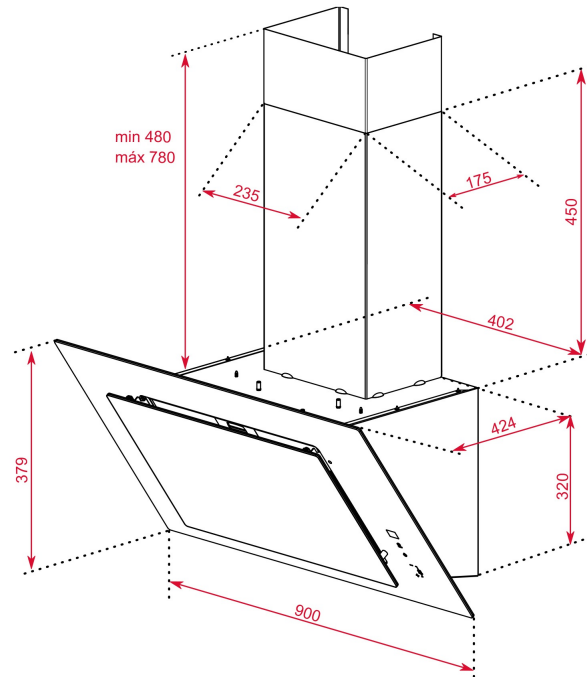
REF. 112930043
EAN. 8434778013252

FEATURES

Vertical decorative hood
Extraction rim system "Contour"
Touch control panel
FreshAir function
Full glass design
3 speeds + 1 intensive
Exhaust capacities: Free Outlet (m³/h): 698
LED illumination
EcoPower motor
Stop delay timer
Filter saturation indicator
Installation also possible without tube cover

DIMENSIONS

Product height (mm): 800-1100
Product width (mm): 900
Product depth (mm): 412
Product length (mm):
Net weight (Kg): 16,2



TECH SPECS

PARTICULAR CHARACTERISTICS

Certificates: CE; CB; Rohs; Gmark
Ø Outlet (mm): 150
Removable oil collector: Yes
Dual Aspiration System: Yes
Type of inner light: LED
Inside light Consumption (W): 4,2
Plug type: Schuko plug
Cable Connection Length (cm): 100
Power rate (V): 220-240
Frequency (Hz): 50/60
Total hood power (W): 286
Number of motors: 1
Motor power (W): 280

**EU REGULATION NO. 65/2014
&66/2104**

Annual energy consumption AEC kWh/annum (kWh): 38,7
Energy Efficiency Class: A+
Fluid Dynamic Efficiency (FDEhood): 35,1
Fluid Dynamic Efficiency class: A
Light Efficiency (Lehood) lux/Watt: 69,8
Lighting Efficiency class: A

Grease Filtering Efficiency class: C
Air flow (Qmin) m3/h: 307
Air flow (Qmax): 584
Air flow (Qboost): 698
Noise (LwA) min. speed (dB): 61
Noise (LwA) max. speed (dB): 72
Noise (LwA) boost speed (dB): 74
Off mode Power (Po) W: 0,00
Standby Power (Ps) W: 0,74
Energy Efficiency Index (EEI): 41,0
Time increase factor: 0,7
Air pressure at best efficiency point(Pbep) Pa: 488
Electric power input at best efficiency point (Wbep) W: 140,0
Nominal power of the lighting system (WL) W: 4,2
Average illumination of the lighting system on the cooking surface (Emiddle) Lux: 419

ACCESSORIES

Anti Return valve: Yes
Outlet reduction: Yes
Outlet extension: No
Optional Charcoal Filter: C1RTK
Regenerative charcoal filter: R1RTK
Integration Frontal panel Code: No
Conventional recirculation kit (opt) - w/tube cover: CFH 15200 L2C
Regenerative recirculation kit (opt) - w/tube cover: RFH 15200 L2C
Conventional recirculation kit (opt) - w/o tube cover: CFH 15200 O2C
Regenerative recirculation kit (opt) - w/o tube cover: RFH 15200 O2C

MODELS

Number of filters: 2
Filter description: Aluminum Filters
Opening system: Piston
Control panel: Touch control
Stop delay timer: Yes
Filter saturation indicator: Yes
Number of speeds: 3 + 1
Fresh air function: Yes

PRODUCT INFORMATION SHEET - DELEGATED REGULATION (EU) 65/2014

Supplier name or trademark: TEKA
Model identifier: DVT 98660 TBS BK
Annual Energy Consumption: 38,7
Energy Efficiency Class: A+
Fluid Dynamic Efficiency: 35,1
Fluid Dynamic Efficiency class: A
Lighting Efficiency: 69,8
Lighting Efficiency class: A
Grease Filtering Efficiency class: C
Air flow (min speed normal use): 307
Air flow (max speed normal use): 584
Air flow (intensive or boost use): 698
Airborne acoustical A-weighted sound power emissions (min speed normal use): 60.8
Airborne acoustical A-weighted sound power emissions (max speed normal use): 72
Airborne acoustical A-weighted sound power emissions (intensive or boost use): 73.6
Power consumption in off mode (W): 0,00
Power consumption in standby mode (W): 0,74



DVT 98660 TBS

ENERGY LABEL

