

**TEKA****TKI4 350 SD UK**

Built-in bottom freezer refrigerator with inverter motor and antibacterial gasket

Motor  
Inverter

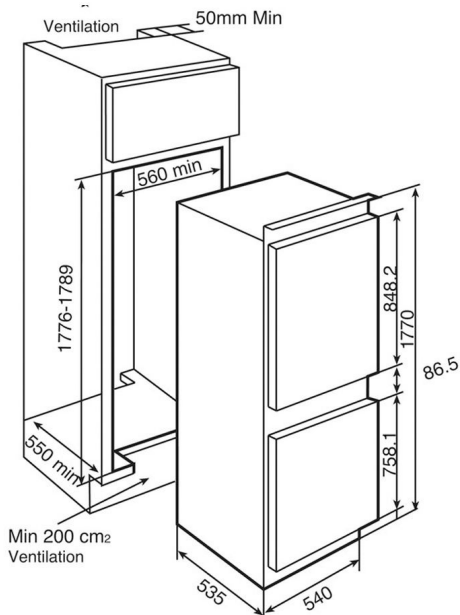
Easy 90



Fresh Box



LED

**REFERENCE**

REF: 113570013

EAN: 8434778014419

**FEATURES**

Built-in bottom freezer refrigerator

Manual defrost

Manual adjustable thermostat

4 safety glass shelves

FreshBox drawers

Front adjustable feet

LED Illumination

Reversible doors

Climate class: SN/ST

Total capacity (gross/net): 265 / 265 litres

Ices cube tray and bottle rack included

**DIMENSIONS****Product height (mm):** 1775**Product width (mm):** 540**Product depth (mm):** 545**Product length (mm):****Net weight (Kg):** 59,5**TECHNICAL DETAILS**

Energy efficiency class (UE 2019/2016): -

Climate Class: SN/ST

Energy Consumption (Kw/day): 0,797

Annual Consumption (kWh/year): 291

Freezing Capacity: 4,75

Noise Level (dBA): 37

Power rate (V): 220-240

Frequency (Hz): 50

**COLOURS**