



CGW LUX 60 3G AI AL TR CI 60 cm Gas on Glass Hob with 3 burners of natural gas



Auto ignition



Autolock

DESCRIPTION

60 cm Gas on Glass Hob with 3 burners of natural gas

LIFE STYLE

Maestro

COLOURS

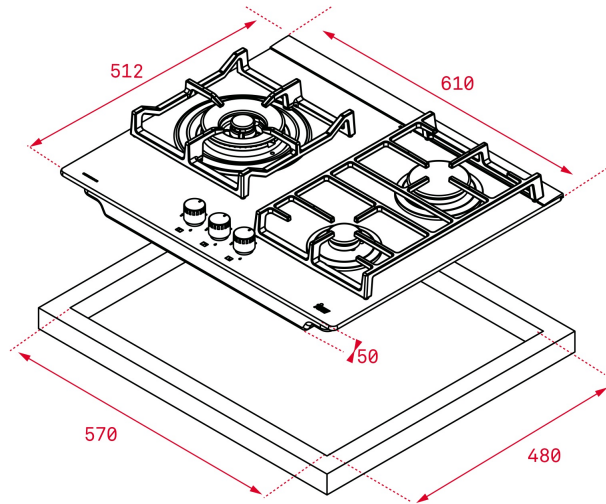


REFERENCE

REF. 40216200
EAN. 8421152099704

FEATURES

Gas typology : natural
60 cm gas on glass hob
Frameless tempered glass
Individual enamelled grids
Auto-ignition
Auto-lock safety device
Black frontal knobs
4 cooking zones :
1 fast burner (3 kW)
2 semi-fast burners (1.75 kW)
1 auxiliary burner (1 kW)



DIMENSIONS

Product height (mm): 50
Product width (mm): 610
Product depth (mm): 512
Product length (mm):
Net weight (Kg):

TECH SPECS

FITTING MEASURES

Built-in Width (mm): 570
Built-in Depth (mm): 480
Built-in Height (mm): 50

PARTICULAR CHARACTERISTICS

Gas type: Natural
Maximum nominal power (W) (Gas): 600
Auto ignition: Yes

ELECTRIC CONNECTION

Frequency (Hz): 50/60
Cable Connection Length (cm): 90

COOKING ZONES

Cooking Zones: 4

SECURITY SYSTEM

Automatic safety disconnection (Auto Lock) (Electric hob): Yes

FINISH

Surface finishing: C-edged glass

ACCESSORIES

Cast Iron Grids: Yes

