



**LSI5 1480** Washer dryer integrable 8kg capacity and 5kg drying system handwashable energy classification



Quick Cycle



Washing capacity: 8Kg

**DESCRIPTION**

Washer dryer integrable 8kg capacity and 5kg drying system handwashable energy classification

**LIFE STYLE**

Total

**COLOURS**



**REFERENCE**

REF. 40821017  
EAN. 8421152150450

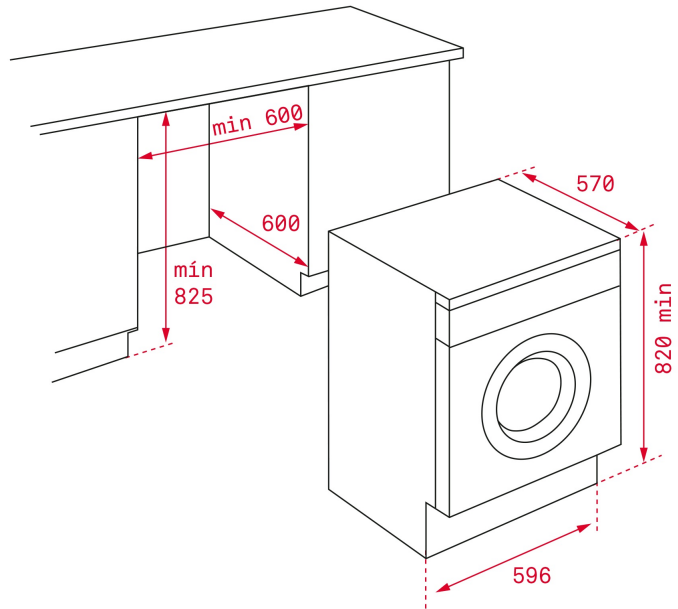


**TEKA**

**LSI5 1480**

**FEATURES**

Integrated washer dryer  
Washing capacity : 8 kg  
Drying capacity : 5 kg  
13 washing programmes  
2 drying programmes  
Maximum spin speed : 1400 rpm  
Electronic control panel  
Fast program 14 minutes  
Automatic water regulation  
Delay timer 1-24h  
Balance control system  
Foam control system  
30 cm wide porthole  
Reversible door



## DIMENSIONS

**Product height (mm):** 820  
**Product width (mm):** 596  
**Product depth (mm):** 570  
**Product length (mm):**  
**Net weight (Kg):** 64

## TECH SPECS

### PRODUCT SHEET

**Type of load:** Front  
**Type of installation:** Built-in  
**Washing capacity (Kgs):** 8  
**Drying capacity (Kgs):** 5  
**Energy consumption (kWh/year):** 220  
**Water consumption (litres/year):** 11000  
**Maximum spinning speed (RPM):** 1400

### POWER SUPPLY

**Frequency (Hz):** 50  
**Power rate (V):** 220-240  
**Maximum Nominal Power (W):** 1600  
**Nominal power motor (W):** 350  
**Power of heating element (W):** 1600

### PARTICULAR CHARACTERISTICS

**Stainless Steel Drum:** Yes  
**Number of programs:** 13  
**Control panel:** SYMBOL  
**Electronic washing management:** Yes  
**Auto lock door:** Yes

## CONTROL INDICATOR LIGHTS

## SPECIAL FUNCTIONS

## EQUIPMENT

## PRODUCT INFORMATION SHEET (UE) 2019/2014

**Cancel spin cycle button:** Yes

**Selected program indicator:** Yes

**Remaining time:** Yes

**Drying:** Yes

**Dryer timer:** Yes

**Fast program:** Yes

**Fast program (minutes):** 14

**Economic program:** Yes

**Intense program:** Yes

**Delicate fabrics:** Yes

**Resistant:** Yes

**Quick Wash:** Yes

**Adjustable Feet Back:** Yes

**Adjustable feet front:** Yes

**Supplier's name or trade mark:** TEKA

**Supplier's address :** C/Cajo, 17, 39011, Santander , Spain

**Model identifier:** LSI5 1480

### General product parameters

#### Dimensions (cm)

**Height:** 82

**Width :** 59,6

**Depth:** 57

#### Energy efficiency index

#### Energy efficiency class

#### Washing efficiency index

#### Rinsing effectiveness (g/kg dry textile)

#### Consumption

**Maximum temperature inside the treated textile (°C) for the eco 40-60 programme**

**Remaining moisture content (%) for the eco 40-60 programme**

**Spin speed (rpm) Eco 40-60 programme**

**Eco 40-60 programme duration (h:min)**

**Wash and dry cycle duration (h:min)**

#### Other

#### Additional information

Weblink to the supplier's website, where the information in point 9 of Annex II to Regulation (EU) 2019/2023 is found (b):

(a) for the eco 40-60 programme

(b) for the wash and dry cycle

(c) changes to these items shall not be considered relevant for the purposes of paragraph 4 of Article 4 of Regulation (EU) 2017/1369.

(d) if the product database automatically generates the definitive content of this cell the supplier shall not enter these data.

## TECHNICAL DOCUMENTATION

**Additional information:**

- (c) where appropriate, the references of the harmonised standards applied;
- (d) where appropriate, the other technical standards and specifications used;
- (e) the details and the results of calculations performed in accordance with Annex IV;
- (f) a list of all equivalent models including the model identifier.

