



LSI4 1470 Built-In 7kg Washer Dryer



DESCRIPTION

Built-In 7kg Washer Dryer

LIFE STYLE

Maestro

COLOURS



REFERENCE

REF. 40821030
EAN. 8421152114292

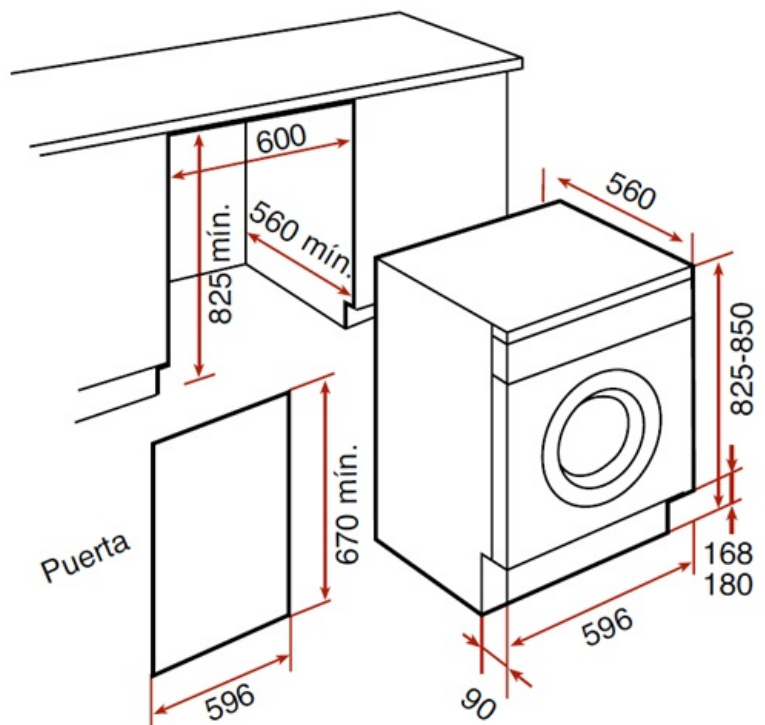


TEKA

LSI4 1470

FEATURES

Integrated washer dryer
Washing capacity : 7 kg
Drying capacity : 4 kg
12 washing programmes
3 drying programmes
Maximum spin speed : 1400 rpm
Electronic control panel
Fast program 15 minutes
Automatic water regulation
Delay timer 1-24h
Balance control system
Foam control system
30 cm wide porthole
Reversible door



DIMENSIONS

Product height (mm): 820
Product width (mm): 596
Product depth (mm): 560
Product length (mm):
Net weight (Kg): 83

TECH SPECS

PRODUCT SHEET

Type of load: Front
Type of installation: Built-in
Certificates: CE + IMQ + VDE

POWER SUPPLY

Frequency (Hz): 50
Power rate (V): 220-240
Maximum Nominal Power (W): 2200
Nominal power motor (W): 340
Power of heating element (W): 2000

PARTICULAR CHARACTERISITICS

Stainless Steel Drum: Yes
Number of programs: 12
Control panel: ELECTRONIC
Electronic washing management: Yes
Child lock: Yes
Auto lock door: Yes
Cancel spin cycle button: Yes
Reversible door: Yes

CONTROL INDICATOR LIGHTS

SPECIAL FUNCTIONS

EQUIPMENT

PRODUCT INFORMATION SHEET (UE) 2019/2014

Selected program indicator: Yes

Remaining time: Yes

Drying: Yes

Dryer timer: Yes

Extra rinse indicator: Yes

Fast program (minutes): 15

Economic program: Yes

Extra rinse: Yes

Resistant: Yes

Easy ironing/anti crease: Yes

Quick Wash: Yes

Adjustable feet front: Yes

Supplier's name or trade mark: TEKA

Supplier's address : C/Cajo, 17, 39011, Santander , Spain

General product parameters

Dimensions (cm)

Energy efficiency index

Energy efficiency class

Washing efficiency index

Rinsing effectiveness (g/kg dry textile)

Consumption

Maximum temperature inside the treated textile (°C) for the eco 40-60 programme

Remaining moisture content (%) for the eco 40-60 programme

Spin speed (rpm) Eco 40-60 programme

Eco 40-60 programme duration (h:min)

Wash and dry cycle duration (h:min)

Other

Additional information

Weblink to the supplier's website, where the information in point 9 of Annex II to Regulation (EU) 2019/2023 is found (b):

(a) for the eco 40-60 programme

(b) for the wash and dry cycle

(c) changes to these items shall not be considered relevant for the purposes of paragraph 4 of Article 4 of Regulation (EU) 2017/1369.

(d) if the product database automatically generates the definitive content of this cell the supplier shall not enter these data.

TECHNICAL DOCUMENTATION (UE) 2019/2014

Additional information:

(c) where appropriate, the references of the harmonised standards applied;

(d) where appropriate, the other technical standards and specifications used;

(e) the details and the results of calculations performed in accordance with Annex IV;

(f) a list of all equivalent models including the model identifier.

