



TKD 1610 WD Free standing Washer Dryer with 22 programs, 10kg washing capacity and 7kg drying capacity



Woolmark
Certificate



Washing
capacity: 10Kg



Washing
capacity: 7Kg

DESCRIPTION

Free standing Washer Dryer with 22 programs, 10kg washing capacity and 7kg drying capacity

LIFE STYLE

Maestro

COLOURS



REFERENCE

REF. 40874450
EAN. 8421152146415



TEKA

TKD 1610 WD

FEATURES

Electronic panel

Energy class: A

Washing Capacity: 10kg

Drying Capacity: 7kg

Maximum spinning speed: 1600 RPM

Stainless steel drum (70 lts)

Fast program: 15 minutes

Delayed door opening

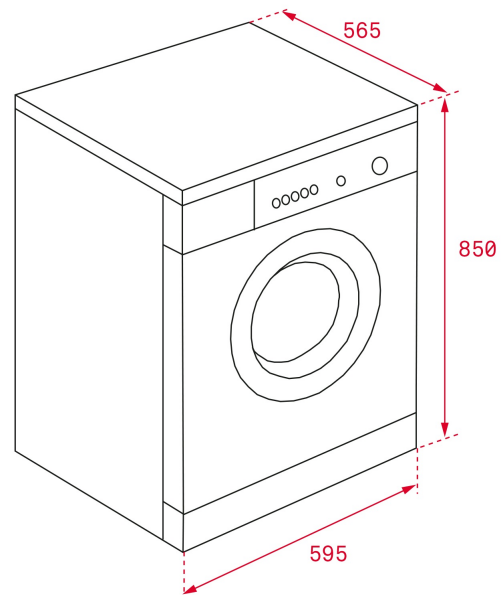
Ajustable front and back feet

Special programs: Speed wash, 1H Wash and Dry, Extra Rinse,

Prewash, Temperature, Spin

Child Lock

33 cm diameter Porthole

TEKA**TKD 1610 WD**

DIMENSIONS

Product height (mm): 850
Product width (mm): 595
Product depth (mm): 565
Product length (mm):
Net weight (Kg): 71

TECH SPECS

PRODUCT SHEET

Type of load: Front
Type of installation: Free standing
Washing capacity (Kgs): 10
Drying capacity (Kgs): 7
Energy consumption (kWh/year): 260
Water consumption (litres/year): 10000
Maximum spinning speed (RPM): 1600
Certificates: CE

POWER SUPPLY

Frequency (Hz): 50
Power rate (V): 220-240
Maximum Nominal Power (W): 2000
Nominal power motor (W): 500
Power of heating element (W): 1200

PARTICULAR CHARACTERISITICS

Stainless Steel Drum: Yes
Number of programs: 16
Number Of Washing Temperatures: 6
Control panel: Electronic

CONTROL INDICATOR LIGHTS

SPECIAL FUNCTIONS

EQUIPMENT

PRODUCT INFORMATION SHEET (UE) 2019/2014

Electronic washing management: Yes

Child lock: Yes

Auto lock door: Yes

Cancel spin cycle button: Yes

Selected program indicator: Yes

Remaining time: Yes

Drying: Yes

Delayed Timer (h): 1-24

Extra rinse: Yes

Delicate fabrics: Yes

Easy ironing/anti crease: Yes

Quick Wash: Yes

Adjustable Feet Back: Yes

Adjustable feet front: Yes

Supplier's name or trade mark: TEKA

Supplier's address : C/Cajo, 17, 39011, Santander , Spain

Model identifier: TKD 1610 WD

General product parameters

Dimensions (cm)

Height: 85

Width : 59,5

Depth: 56,5

Energy efficiency index

Energy efficiency class

Washing efficiency index

Rinsing effectiveness (g/kg dry textile)

Consumption

Maximum temperature inside the treated textile (°C) for the eco 40-60 programme

Remaining moisture content (%) for the eco 40-60 programme

Spin speed (rpm) Eco 40-60 programme

Eco 40-60 programme duration (h:min)

Wash and dry cycle duration (h:min)

Other

Additional information

Weblink to the supplier's website, where the information in point 9 of Annex II to Regulation (EU) 2019/2023 is found (b):

(a) for the eco 40-60 programme

(b) for the wash and dry cycle

(c) changes to these items shall not be considered relevant for the purposes of paragraph 4 of Article 4 of Regulation (EU) 2017/1369.

(d) if the product database automatically generates the definitive content of this cell the supplier shall not enter these data.

- (c) where appropriate, the references of the harmonised standards applied;
- (d) where appropriate, the other technical standards and specifications used;
- (e) the details and the results of calculations performed in accordance with Annex IV;
- (f) a list of all equivalent models including the model identifier.

