



HBE 615 ME Polivalent Multifunction oven in 60 cm



70L



Plus Extension
Telescopic
Guide



HydroClean

DESCRIPTION

Polivalent Multifunction oven in 60 cm

LIFE STYLE

Easy

COLOURS



REFERENCE

REF. 111280003
EAN. 8434778005400

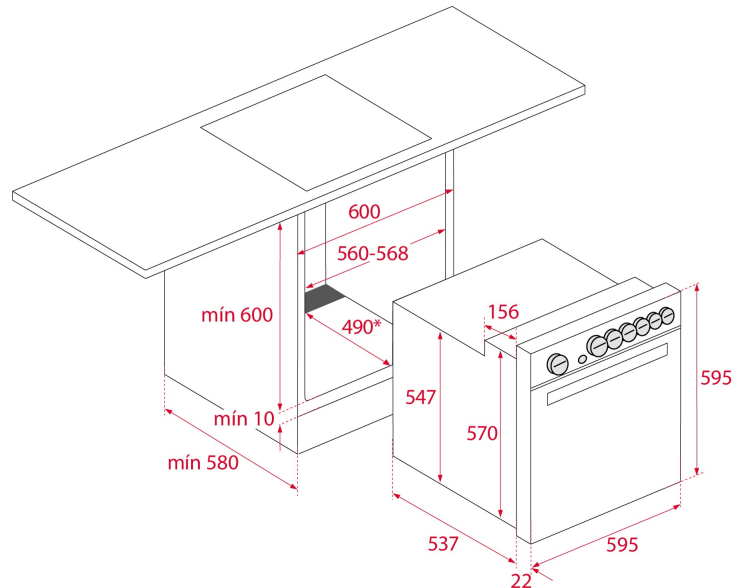


TEKA

HBE 615 ME

FEATURES

Polivalent oven
Multifunction oven
6 Cooking functions
HydroClean system
Mechanical control knobs
Minute minder
Chrome supports with 5 cooking levels
Double glazed door
Anti-tip deep tray
Gross/net capacity: 71/70 litres



DIMENSIONS

Product height (mm): 595

Product width (mm): 595

Product depth (mm): 537+22

Product length (mm):

Net weight (Kg): 25

TECH SPECS

PARTICULAR CHARACTERISTICS

Certificates: N / CE / CCA / CB/ EAC

Number of cavities: 1

Type of inner light: Halogen

Inside light position: Right top corner

Enamelled cavity: Yes

Function selector: 7+0

Number of cooking functions: 6

Grill + Bottom function: Yes

Grill function: Yes

Grill + Bottom + Fan function: Yes

Bottom function: Yes

ECO function: Yes

Mechanical quick heating: Yes

Minute Minder: Yes

Knobs type: S2K SILVER

Removable chromed tray guides: Yes

Number of guide levels: 5

ELECTRIC CONNECTION

Maximum Nominal Power (W): 2615

Frequency (Hz): 50/60

Power rate (V): 220-240
Cable Connection Length (cm): 110
Inside light Consumption (W): 25

ENERGY CONSUMPTION

Energy consumption per cycle in conventional mode (kWh):
0.82
Energy consumption per cycle in fan-forced convection mode (kWh): 0,71
Bottom Heating Element (W): 1150
Grill (W): 1400
Maxi Grill (W): 2500
Traditional (W): 2550
Multifunction Turbo (W): 22
Cooling Fan Motor (W): 18

SECURITY SYSTEM

Grill protection: Yes
Anti-tip tray system: Yes
Safety Thermostat: Yes

CLEANING SYSTEM

Fingerprint proof stainless steel: Yes
Crystal Clean Enamel (Slippery): Yes
Hydroclean ECO: Yes

ACCESSORIES

Baking Tray: 0
Deep Tray (50 mm): 1
The SteamBox: 0
Glass Tray: 0
Standard grid: 1

ENERGY EFFICIENCY

Energy Efficiency Class: A
Energy Efficiency Index (EEI): 84,7

PRODUCT INFORMATION SHEET - DELEGATED REGULATION (EU) 65/2014

Supplier name or trademark: TEKA
Model identifier: HBE 615 ME SS E00
Number of cavities: 1

Cavity 1

Energy Efficiency Index: 84,7
Energy Efficiency Class: A
Energy consumption per cycle (conventional mode): 0.82
Energy consumption per cycle (fan-forced convection mode):
0,71
Volume: 71



HBE 615 ME

ENERGY LABEL

ENERG Y U/A
енергия · ενεργεια
IE I/A

TEKA HBE 615 ME

A+++
A++
A+ **A**
A
B
C
D

70 L

0.82 kWh/cycle*
0.71 kWh/cycle*

* unesat - cyclus - portion - zykhus - nrolopaaua - ciclo - tsükkel - ohjelma - ciklus - ciklas - cikls - ciklu - cyclus - cykl - ciclo - program - cykel

65/2014