



GZC 96310 XB Gas on Glass Hob with 6 cooking zones in 90cm of butane gas



Auto ignition



Autolock



ExactFlame



Easy installation

DESCRIPTION

Gas on Glass Hob with 6 cooking zones in 90cm of butane gas

LIFE STYLE

Total

COLOURS



REFERENCE

REF. 112570073
EAN. 8434778006971

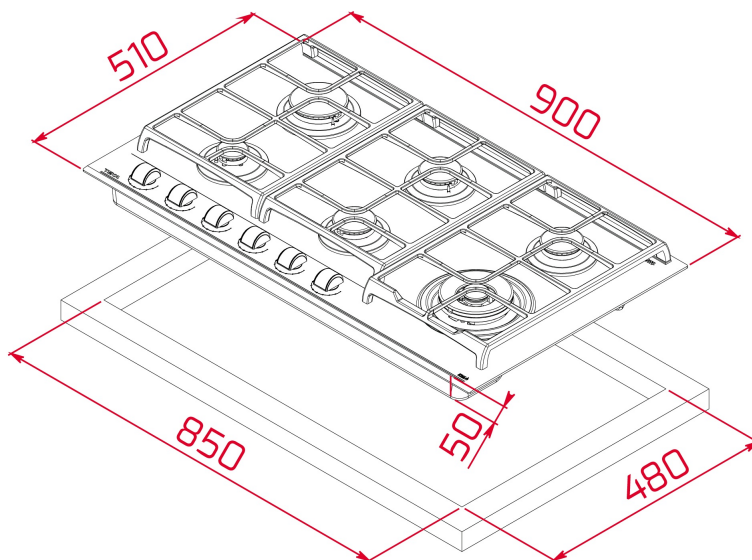


TEKA

GZC 96310 XB

FEATURES

Gas on Glass Hob
Front control knobs with ergonomic design
Ceramic glass surface
6 cooking zones:
1 double ring burner, 4.00 kW
1 fast burner, 2.80kW
2 semi-fast burners, 1.75 kW
1 semi-fast burner, 1.40 kW
1 auxiliary burner, 1.00 kW
Automatic-ignition in every burner, activated through control knobs
Auto-lock safety device
Large cast iron pan grids
Easy installation kit
Type of Gas: Butane
Optional accessory: Wok support



DIMENSIONS

Product height (mm): 98
Product width (mm): 900
Product depth (mm): 510
Product length (mm):
Net weight (Kg): 17,2

TECH SPECS

FITTING MEASURES

Built-in Width (mm): 850
Built-in Depth (mm): 480
Built-in Height (mm): 49

PARTICULAR CHARACTERISTICS

Gas type: Butane
Maximum nominal power (W) (Gas): 12700
Auto ignition: Yes
Number of electric power levels: 9

ELECTRIC CONNECTION

Frequency (Hz): 60
Power rate (V): 110
Cable Connection Length (cm): 110
Maximum Nominal Power (W) (Electric hob): 1100

COOKING ZONES

Cooking Zones: 6
Left rear cooking zone - Type: RAPID
Left front cooking zone - Type: AUXILIARY

Center rear cooking zone - Type: SEMIRAPID
Center front cooking zone - Type: SEMIRAPID
Right rear cooking zone - Type: SEMIRAPID
Right front cooking zone - Type: DOUBLE RING

SECURITY SYSTEM

Automatic safety disconnection (Auto Lock) (Gas): Yes
Automatic safety disconnection (Auto Lock) (Electric hob): Yes

FINISH

Surface finishing: Front bevelled glass
Surface type: Ceramic Glass (4mm)
Easy installation system: Yes

ACCESSORIES

Grid type: Full Grid
Wok support: Optional
Junction Kit: Optional
Cast Iron Grids: Yes
Teppan Yaki: NO

