



GFH 55 55cm Built-in Hood with push buttons control panel and 2 aluminum filters



LED

DESCRIPTION

55cm Built-in Hood with push buttons control panel and 2 aluminum filters

LIFE STYLE

Total

COLOURS



REFERENCE

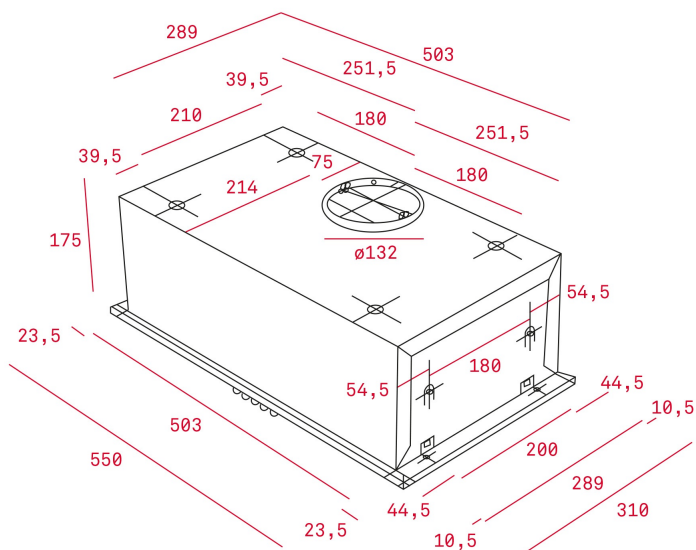
REF. 40446700
EAN. 8421152036396



GFH 55

FEATURES

Built-in hood
Push buttons control
3 speeds
Free Outlet exhaust capacity (m³/h): 367
Max speed exhaust capacity (m³/h): 223
Min speed exhaust capacity (m³/h): 329
Max speed sound level (dBA): 52
Min speed sound level (dBA): 42
2 LED lamps
2 aluminium filters
Anti-return valve included
Optional Charcoal Filter: CNL 1C



DIMENSIONS

Product height (mm): 175
Product width (mm): 550
Product depth (mm): 310
Product length (mm):
Net weight (Kg): 5

TECH SPECS

PARTICULAR CHARACTERISTICS

Certificates: CE, CB, Rohs
Ø Outlet (mm): 120
Type of inner light: LED
Inside light Consumption (W): 1,5
Plug type: European plug
Cable Connection Length (cm): 150
Power rate (V): 230
Frequency (Hz): 50
Total hood power (W): 134
Number of motors: 1
Motor power (W): 130
Air flow (Qmin) m³/h: 156
Air flow (Qmax): 315

ACCESSORIES

Anti Return valve: Yes
Outlet extension: no
Optional Charcoal Filter: CNL 1C

MODELS

Number of filters: 2

Filter description: Aluminium

Control panel: Mechanical push buttons

Number of speeds: 3



GFH 55

ENERGY LABEL

The image shows a standard European Energy Label for a TEKA GFH 55/GFH 73 unit. The label is rectangular with a blue border and contains the following information:

- Header:** The European Union flag, the word "ENERG" in large letters, and "енергия · енергiя" in smaller letters below it. To the right are two circular icons: one with "Y" and "A" and another with "IE" and "IA".
- Brand and Model:** "TEKA" on the left and "GFH 55/GFH 73" on the right.
- Energy Efficiency Scale:** A vertical bar on the left shows efficiency classes from A++ (dark green) at the top to E (red) at the bottom. A black arrow points to the "D" class.
- Annual Energy Consumption:** A box on the right contains the number "68" and "kWh/annum" below it.
- Additional Metrics:** Four icons in a row: a fan (labeled "A B C D E F G"), a lightbulb (labeled "A B C D E F G"), water droplets (labeled "A B C D E F G"), and a speaker (labeled "69 dB").
- Footer:** "65/2014" in the bottom left and "1231085-C" in the bottom right.