



**NC 785** 70cm Ultraslim Glass Wing Decorative with ECOPOWER motor



LED



Stop Delay  
Timer

**DESCRIPTION**

70cm Ultraslim Glass Wing Decorative with ECOPOWER motor

**LIFE STYLE**

Total

**COLOURS**

**REFERENCE**

REF. 40455381  
EAN. 8421152130520



**NC 785**

**FEATURES**

Decorative glass wing hood  
Electronic control with display  
3 speeds +1 intensive  
Free Outlet exhaust capacity (m3/h): 895  
Intensive speed exhaust capacity (m3/h): 807  
Max speed exhaust capacity (m3/h): 631  
Min speed exhaust capacity (m3/h): 315  
Intensive speed sound level (dBA): 72  
Max speed sound level (dBA): 68  
Min speed sound level (dBA): 56  
2 LED Lamps  
1 Stainless Steel filter  
Stop delay timer  
Filter saturation indicator  
Operating pilot light  
Anti-return valve included  
Outlet reduction included  
Optional recirculation kit with tube cover installation: SET 1/N1  
Optional Charcoal Filter: D4C

## DIMENSIONS

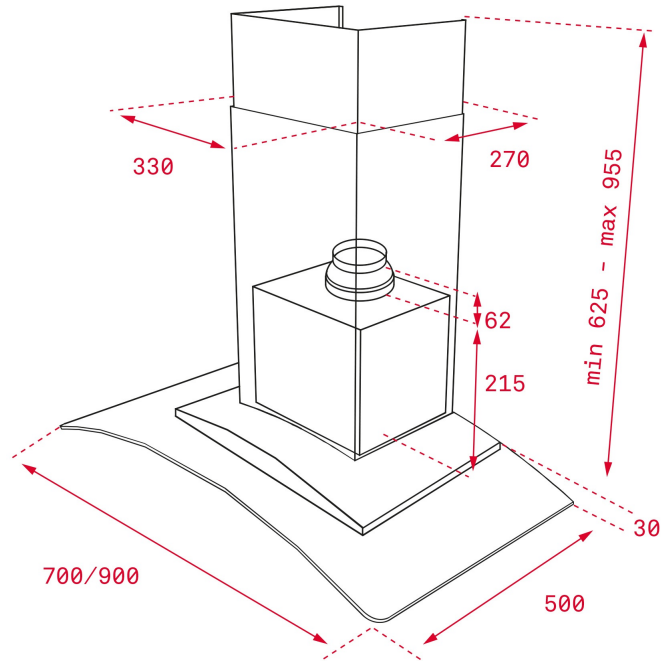
**Product height (mm):** 674-1004

**Product width (mm):** 700

**Product depth (mm):** 500

**Product length (mm):**

**Net weight (Kg):** 14,1



## TECH SPECS

### PARTICULAR CHARACTERISTICS

**Certificates:** CE; CB; Rohs  
**Ø Outlet (mm):** 150  
**Type of inner light:** LED  
**Inside light Consumption (W):** 3  
**Plug type:** European plug  
**Power rate (V):** 220-240  
**Frequency (Hz):** 50  
**Total hood power (W):** 286  
**Number of motors:** 1  
**Motor power (W):** 280

### ACCESSORIES

**Anti Return valve:** Yes  
**Outlet reduction:** Yes  
**Outlet extension:** No  
**Optional Charcoal Filter:** C1RTK  
**Regenerative charcoal filter:** R1RTK  
**Conventional recirculation kit (opt) - w/tube cover:** CFH 15200 L2C  
**Regenerative recirculation kit (opt) - w/tube cover:** RFH 15200 L2C

## **MODELS**

**Number of filters:** 1

**Filter description:** Stainless Steel filters

**Control panel:** Electronic soft buttons with display

**Stop delay timer:** Yes

**Filter saturation indicator:** Yes

**Number of speeds:** 3+1



NC 785

ENERGY LABEL

