



**DBB 90** 90cm Pyramidal Decorative Hood with push buttons controls



LED

**DESCRIPTION**

90cm Pyramidal Decorative Hood with push buttons controls

**LIFE STYLE**

Easy

**COLOURS**



**REFERENCE**

REF. 40460440  
EAN. 8421152069660



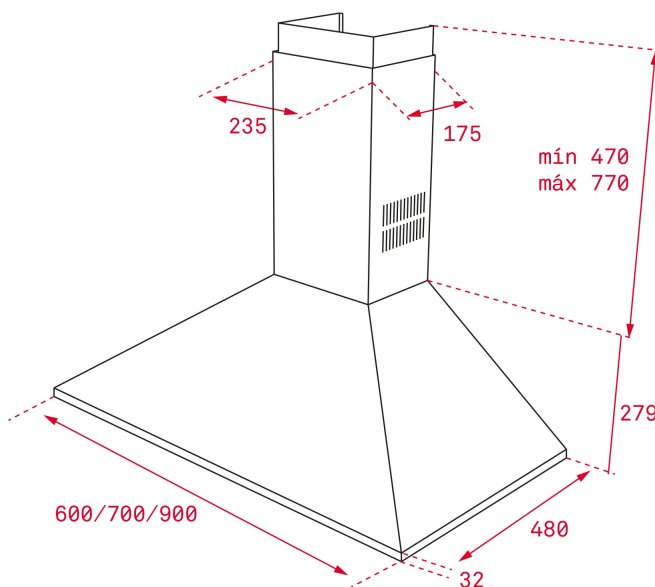
## DBB 90

### FEATURES

Decorative pyramidal hood  
Push buttons control  
3 speeds  
Free Outlet exhaust capacity (m<sup>3</sup>/h): 475  
Max speed exhaust capacity (m<sup>3</sup>/h): 380  
Min speed exhaust capacity (m<sup>3</sup>/h): 234  
Max speed sound level (dBA): 54  
Min speed sound level (dBA): 44  
2 LED lamps  
3 Aluminium filters  
Operating pilot light  
Anti-return valve included  
Outlet reduction included  
Optional recirculation kit with tube cover installation: SET 1/M1  
Optional Charcoal Filter: D4C

## DIMENSIONS

**Product height (mm):** 749-1049  
**Product width (mm):** 900  
**Product depth (mm):** 480  
**Product length (mm):**  
**Net weight (Kg):** 9,5



## TECH SPECS

### PARTICULAR CHARACTERISTICS

**Certificates:** CE; CB  
**Ø Outlet (mm):** 150  
**Type of inner light:** LED  
**Inside light Consumption (W):** 5  
**Plug type:** European plug  
**Power rate (V):** 220-240  
**Frequency (Hz):** 50/60  
**Total hood power (W):** 115  
**Number of motors:** 1  
**Motor power (W):** 105  
**Air flow (Qmin) m<sup>3</sup>/h:** 234  
**Air flow (Qmax):** 380  
**Air flow (Qboost):** 0

### ACCESSORIES

**Anti Return valve:** Yes  
**Outlet reduction:** Yes  
**Outlet extension:** No  
**Optional Charcoal Filter:** C1RTK  
**Regenerative charcoal filter:** R1RTK  
**Conventional recirculation kit (opt) - w/tube cover:** CFH 15200

L2C

**Regenerative recirculation kit (opt) - w/tube cover:** RFH 15200

L2C

**MODELS**

**Number of filters:** 3

**Filter description:** Aluminum

**Control panel:** Mechanical push buttons

**Number of speeds:** 3



DBB 90

ENERGY LABEL

The energy label for the TEKA DBB 90 INOX VR01 model includes the following information:

- Brand and model: TEKA DBB 90 INOX VR01
- Energy efficiency class: D (indicated by a black arrow pointing to the 'D' class on the scale)
- Annual energy consumption: 62 kWh/annum
- Energy efficiency scale: A++, A+, A, B, C, D, E
- Additional icons: Fan speed (A++ to F), Light (A to F), Water consumption (A to F), and Noise (60 dB)
- Regulation reference: 65/2014