



**C 6310** 60cm Classical integrated hood with 3 speeds and 1 motor



LED

**DESCRIPTION**

60cm Classical integrated hood with 3 speeds and 1 motor

**LIFE STYLE**

Easy

**COLOURS**



**REFERENCE**

REF. 40461540  
EAN. 8421152146057

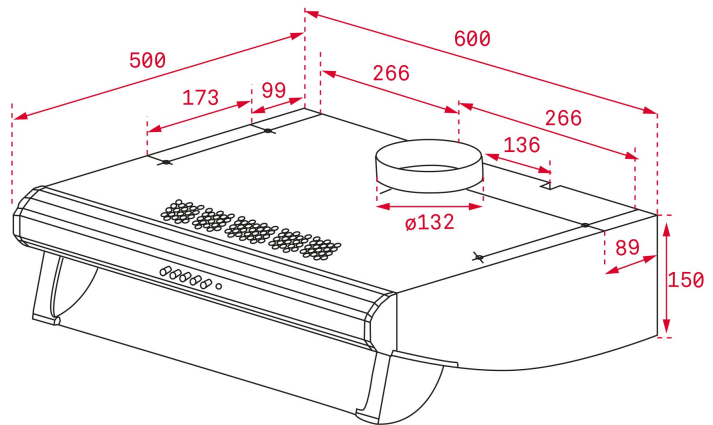


**TEKA**

**C 6310**

**FEATURES**

Classic hood  
Push buttons control  
3 speeds  
Free Outlet exhaust capacity (m<sup>3</sup>/h): 254  
Max speed exhaust capacity (m<sup>3</sup>/h): 235  
Min speed exhaust capacity (m<sup>3</sup>/h): 124  
Max speed sound level (dBA): 66  
Min speed sound level (dBA): 49  
2 LED lamps  
2 aluminium filters  
Operating pilot light  
Anti-return valve included  
Optional Charcoal Filter: C2R



## DIMENSIONS

**Product height (mm):** 150  
**Product width (mm):** 600  
**Product depth (mm):** 500  
**Product length (mm):**  
**Net weight (Kg):** 6,65

## TECH SPECS

### PARTICULAR CHARACTERISTICS

**Certificates:** CE; CB; Rohs  
**Ø Outlet (mm):** 120  
**Type of inner light:** LED  
**Inside light Consumption (W):** 6  
**Plug type:** European plug  
**Power rate (V):** 230  
**Frequency (Hz):** 50  
**Total hood power (W):** 120  
**Number of motors:** 1  
**Motor power (W):** 108  
**Air flow (Qmin) m<sup>3</sup>/h:** 128  
**Air flow (Qmax):** 226

### ACCESSORIES

**Anti Return valve:** Yes  
**Outlet extension:** Yes  
**Optional Charcoal Filter:** C2R  
**Integration Frontal panel Code:** No  
**Conventional recirculation kit (opt) - w/tube cover:** No

## MODELS

**Number of filters:** 2

**Filter description:** Aluminum

**Control panel:** Mechanical push buttons

**Number of speeds:** 3

**Fingerprint proof front panel:** Yes



C 6310

ENERGY LABEL

The image shows a standard European Energy Label for a TEKA C6310 refrigerator. The label is rectangular with a blue border and contains the following information:

- Header:** The European Union flag, the word "ENERG" in large letters, and "енергия · енергія" in smaller letters below it. To the right are two circular icons: one with "Y IJA" and another with "IE IA".
- Brand and Model:** "TEKA" on the left and "C6310" on the right.
- Energy Efficiency Scale:** A vertical bar on the left shows efficiency classes from A++ (top, green) to E (bottom, red). A black arrow points to class "D" on the right side of the bar.
- Annual Energy Consumption:** A box on the right contains the number "67" and "kWh/annum" below it.
- Additional Metrics:** Four icons are arranged in a row at the bottom:
  - A fan icon with "ABCD EFG" below it.
  - A lightbulb icon with "ABCDE FG" below it.
  - A water drop icon with "ABC D EFG" below it.
  - A speaker icon with "66dB" below it.
- Footnote:** "65/2014" is printed at the bottom left, and "1231120-c" is at the bottom right.