



**DPL Island 1185** 110cm Island Hood with Contour Rim extraction, Touch control and ECOPOWER motor



LED



Perimeter extraction



Stop Delay Timer

**DESCRIPTION**

110cm Island Hood with Contour Rim extraction, Touch control and ECOPOWER motor

**LIFE STYLE**

Maestro

**COLOURS**



**REFERENCE**

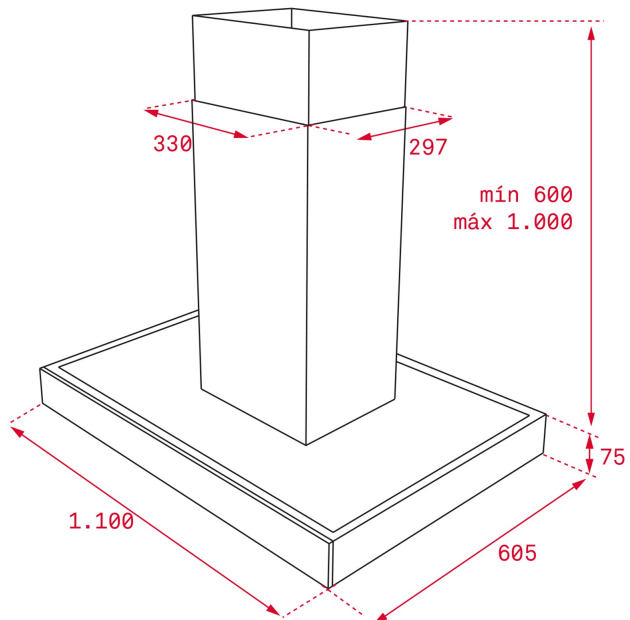
REF. 40483172  
EAN. 8421152145777



## DPL Island 1185

### FEATURES

Decorative horizontal island hood  
Electronic control with display  
Rim extraction  
EcoPower motor  
3 speeds + 1 intensive  
Free Outlet exhaust capacity (m<sup>3</sup>/h): 920  
Intensive speed exhaust capacity (m<sup>3</sup>/h): 782  
Max speed exhaust capacity (m<sup>3</sup>/h): 629  
Min speed exhaust capacity (m<sup>3</sup>/h): 331  
Intensive speed sound level (dBA): 69  
Max speed sound level (dBA): 66  
Min speed sound level (dBA): 54  
4 LED lamps  
3 aluminium filters  
Stop delay timer  
Filter saturation indicator  
Operating pilot light  
Anti-return valve included  
Outlet reduction included  
Optional recirculation kit with tube cover installation: SET 1/T1  
Optional Charcoal Filter: D4C



## DIMENSIONS

**Product height (mm):** 817-1117

**Product width (mm):** 1100

**Product depth (mm):** 605

**Product length (mm):**

**Net weight (Kg):** 17,4

## TECH SPECS

### FEATURES

**Ø Outlet (mm):** 150  
**Type of inner light:** LED  
**Inside light Consumption (W):** 3  
**Plug type:** European plug  
**Power rate (V):** 220240  
**Frequency (Hz):** 50  
**Total hood power (W):** 292  
**Number of motors:** 1  
**Motor power (W):** 280  
**Air flow (Qmin) m<sup>3</sup>/h:** 331  
**Air flow (Qmax):** 629  
**Air flow (Qboost):** 782

### ACCESSORIES

**Anti Return valve:** Yes  
**Outlet reduction:** Yes  
**Optional Charcoal Filter:** D4C  
**Conventional recirculation kit (opt) - w/tube cover:** SET 1/T1

### MODELS

**Number of filters:** 3

**Filter description:** inox panel; aluminum filters below

**Control panel:** Touch control

**Stop delay timer:** Yes

**Filter saturation indicator:** Yes

**Number of speeds:** 3+1



DPL Island 1185

ENERGY LABEL

