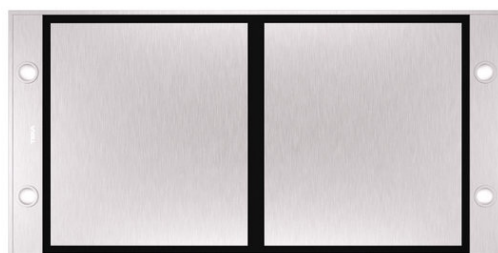




DHT 1285 120cm Ceiling Hood with Contour Rim extraction system and ECOPOWER motor



Remote Control



LED



Perimeter
extraction



Stop Delay
Timer

DESCRIPTION

120cm Ceiling Hood with Contour Rim extraction system and ECOPOWER motor

LIFE STYLE

Maestro

COLOURS

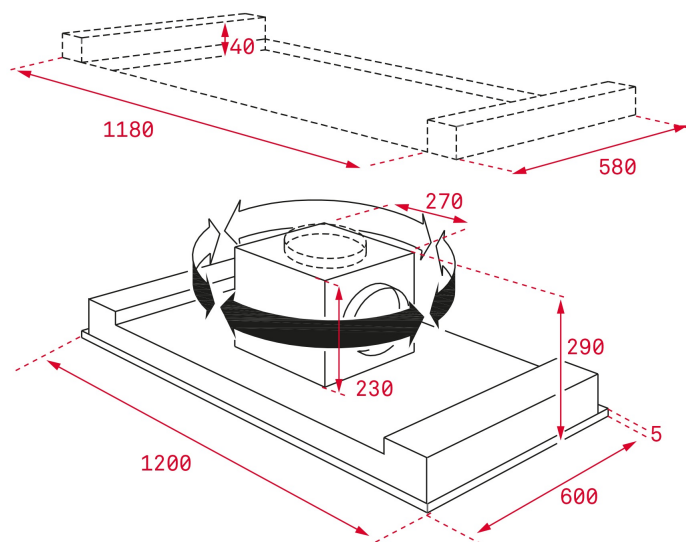


REFERENCE

REF. 40484180
EAN. 8421152145890

FEATURES

Decorative island hood
Push buttons control
Rim extraction
Remote control
3 speeds + 1 intensive
Free Outlet exhaust capacity (m³/h): 920
Max speed exhaust capacity (m³/h): 631
Min speed exhaust capacity (m³/h): 315
Intensive speed exhaust capacity (m³/h): 807
Intensive speed sound level (dBA): 66
Max speed sound level (dBA): 60
Min speed sound level (dBA): 47
4 LED lamps
4 Aluminum filter
Stop delay timer
Filter saturation indicator
Operating pilot light
Anti-return valve included
Outlet reduction included
Optional recirculation kit with tube cover installation: ZUB 9015



DIMENSIONS

Product height (mm): 305
Product width (mm): 1200
Product depth (mm): 600
Product length (mm):
Net weight (Kg): 27,9

TECH SPECS

PARTICULAR CHARACTERISTICS

Certificates: CE; CB; Rohs
Ø Outlet (mm): 150
Type of inner light: LED
Inside light Consumption (W): 3
Power rate (V): 220240
Frequency (Hz): 50
Total hood power (W): 292
Number of motors: 1
Motor power (W): 280
Air flow (Qmin) m³/h: 315
Air flow (Qmax): 631
Air flow (Qboost): 807

ACCESSORIES

Anti Return valve: Yes
Outlet reduction: Yes
Optional Charcoal Filter: C2RKP
Conventional recirculation kit (opt) - w/o tube cover: CFR 30480
LOE

MODELS

Number of filters: 4

Filter description: Aluminum

Control panel: Electronic with remote control

Remote control: Yes

Stop delay timer: Yes

Filter saturation indicator: Yes



DHT 1285

ENERGY LABEL

