



DSH 785 70cm Decorative Hood with Touch Control display and ECOPOWER motor



LED



Stop Delay
Timer

DESCRIPTION

70cm Decorative Hood with Touch Control display and ECOPOWER motor

LIFE STYLE

Total

COLOURS



REFERENCE

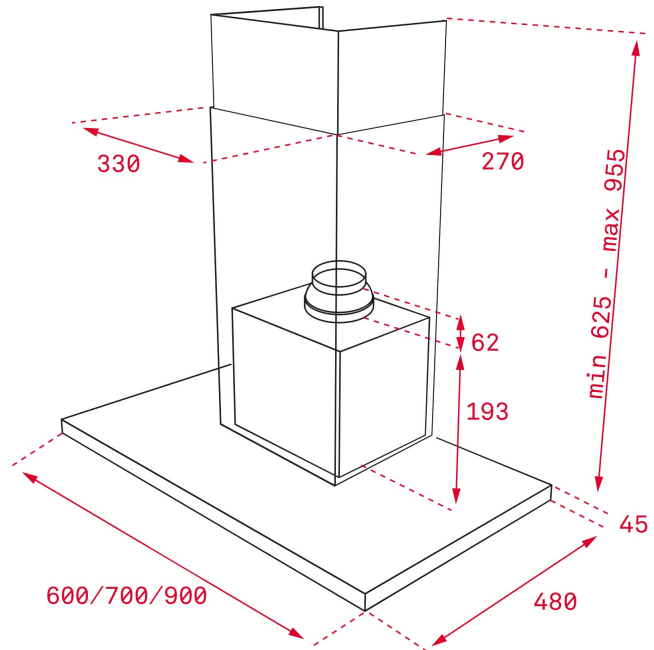
REF. 40484201
EAN. 8421152157343

FEATURES

Decorative horizontal hood
Electronic control with display
3 speeds + 1 intensive
Free Outlet exhaust capacity (m³/h): 920
Intensive speed exhaust capacity (m³/h): 740
Max speed exhaust capacity (m³/h): 586
Min speed exhaust capacity (m³/h): 306
Intensive speed sound level (dBA): 60
Max speed sound level (dBA): 55
Min speed sound level (dBA): 42
1 LED lamp
2 Stainless Steel filters
Stop delay timer
Filer saturation indicator
Operating pilot light
Anti-return valve included
Outlet reduction included

DIMENSIONS

Product height (mm): 670-1000
Product width (mm): 700
Product depth (mm): 480
Product length (mm):
Net weight (Kg): 14,02



TECH SPECS

PARTICULAR CHARACTERISTICS

Certificates: CE; CB; Rohs
Ø Outlet (mm): 150
Type of inner light: LED
Inside light Consumption (W): 6
Plug type: Schuko plug
Power rate (V): 220240
Frequency (Hz): 50
Total hood power (W): 286
Number of motors: 1
Motor power (W): 280
Air flow (Qmin) m³/h: 305
Air flow (Qmax): 586
Air flow (Qboost): 735

ACCESSORIES

Anti Return valve: Yes
Outlet reduction: Yes
Outlet extension: No
Optional Charcoal Filter: C1RTK
Regenerative charcoal filter: R1RTK
Conventional recirculation kit (opt) - w/tube cover: CFH 15200

L3C

Regenerative recirculation kit (opt) - w/tube cover: RFH 15200

L3C

MODELS

Number of filters: 2

Filter description: Stainless Steel filters

Control panel: Electronic soft buttons with display

Stop delay timer: Yes

Filter saturation indicator: Yes

Number of speeds: 3+1



DSH 785

ENERGY LABEL

The energy label for the TEKA DSH 685/785* model includes the following information:

- Brand: TEKA
- Model: DSH 685/785*
- Energy Efficiency Class: A (indicated by a black arrow pointing to the 'A' level on the scale)
- Energy Consumption: 55 kWh/annum
- Energy Efficiency Index (EEI): 55 kWh/annum
- Sound Power Level (SPL): 68 dB
- Energy Efficiency Class (SPL): A
- Energy Efficiency Class (Water): A
- Energy Efficiency Class (Light): A
- Energy Efficiency Class (Sound): A

Additional details on the label include the European Union flag, the word 'ENERG' with its Cyrillic equivalent 'енергия - енерґія', and the date 65/2014.