



DG3 985 Island 90cm Glass Wing Decorative Hood with ECOPOWER motor



LED



Stop Delay
Timer

DESCRIPTION

90cm Glass Wing Decorative Hood with ECOPOWER motor

LIFE STYLE

Total

COLOURS

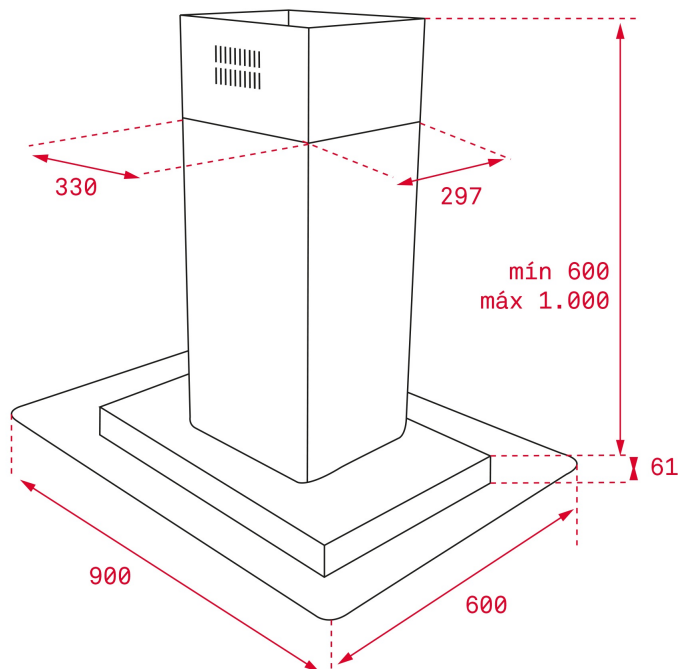


REFERENCE

REF. 40485150
EAN. 8421152145814

FEATURES

Decorative glass wing island hood
Electronic control with display
3 speeds + 1 intensive
Free Outlet exhaust capacity (m³/h): 920
Intensive speed exhaust capacity (m³/h): 796
Max speed exhaust capacity (m³/h): 605
Min speed exhaust capacity (m³/h): 311
Intensive speed sound level (dBA): 71
Max speed sound level (dBA): 66
Min speed sound level (dBA): 52
4 LED lamps
2 Stainless Steel filters
Stop delay timer
Filter saturation indicator
Operating pilot light
Anti-return valve included
Outlet reduction included
Optional recirculation kit with tube cover installation: SET 1/T1
Optional Charcoal Filter: D4C



DIMENSIONS

Product height (mm): 871-1171

Product width (mm): 900

Product depth (mm): 600

Product length (mm):

Net weight (Kg): 36,01

TECH SPECS

PARTICULAR CHARACTERISTICS

Certificates: CE; CB; Rohs
Ø Outlet (mm): 150
Type of inner light: LED
Inside light Consumption (W): 3
Plug type: European plug
Power rate (V): 220240
Frequency (Hz): 50
Total hood power (W): 292
Number of motors: 1
Motor power (W): 280
Air flow (Qmin) m³/h: 311
Air flow (Qmax): 605
Air flow (Qboost): 796

ACCESSORIES

Anti Return valve: Yes
Outlet reduction: Yes
Optional Charcoal Filter: D4C
Conventional recirculation kit (opt) - w/tube cover: SET 1/T1

MODELS

Number of filters: 2

Filter description: Stainless Steel filters

Control panel: Electronic soft buttons with display

Stop delay timer: Yes

Filter saturation indicator: Yes

Number of speeds: 3+1



DG3 985 Island

ENERGY LABEL

