



HBB 490 60cm Conventional Oven, 3 functions



72L

DESCRIPTION

60cm Conventional Oven, 3 functions

LIFE STYLE

Easy

COLOURS



REFERENCE

REF. 41560020
EAN. 8421152148907

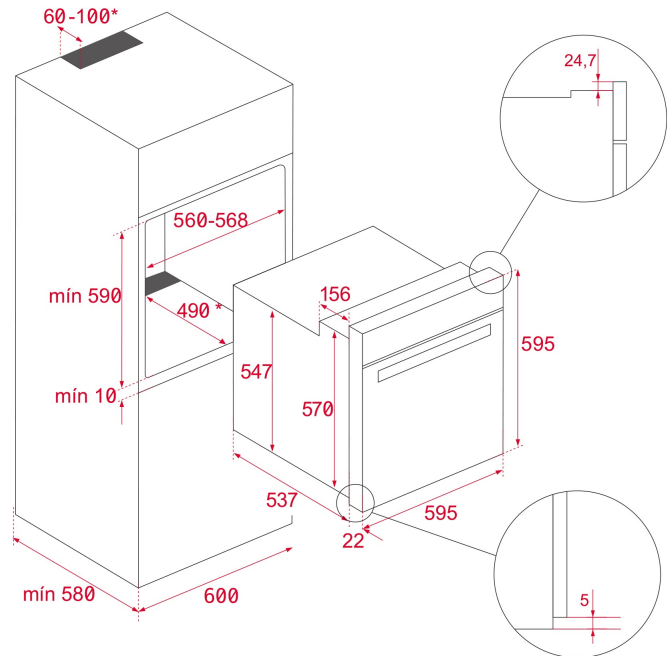


TEKA

HBB 490

FEATURES

Conventional oven
3 cooking functions
Mechanical control knobs
Chrome supports with 5 cooking levels
Removable double glazed door
Anti-tip deep tray
Capacity (gross/net): 75 / 72 litres



DIMENSIONS

Product height (mm): 595
Product width (mm): 595
Product depth (mm): 537+22
Product length (mm):
Net weight (Kg): 24

TECH SPECS

PARTICULAR CHARACTERISTICS

Certificates: N / CE / CCA / CB / EAC
Number of cavities: 1
Type of inner light: Halogen
Inside light position: RIGHT TOP CORNER
Enamelled cavity: Yes
Min. Temperature Regulator (°C): 50
Max. Temperature Regulator (°C): 250
Function selector: 3+0
Number of cooking functions: 3
Grill + Bottom function: Yes
Grill function: Yes
Bottom function: Yes
Knobs type: MMX FIX knurling
Number of guide levels: 5

ELECTRIC CONNECTION

Maximum Nominal Power (W): 2593
Frequency (Hz): 50/60
Power rate (V): 220-240
Cable Connection Length (cm): 110
Inside light Consumption (W): 25

ENERGY CONSUMPTION

Energy consumption per cycle in conventional mode (kWh):
0.81

Energy consumption per cycle in fan-forced convection mode (kWh): No

Bottom Heating Element (W): 1150

Grill (W): 1400

Traditional (W): 2550

Cooling Fan Motor (W): 18

SECURITY SYSTEM

Grill protection: Yes

Anti-tip tray system: Yes

Safety Thermostat: Yes

CLEANING SYSTEM

Crystal Clean Enamel (Slippery): Yes

ACCESSORIES

Deep Tray (50 mm): 1

ENERGY EFFICIENCY

Energy Efficiency Class: A

Energy Efficiency Index (EEI): 95,3

PRODUCT INFORMATION SHEET - DELEGATED REGULATION (EU) 65/2014

Supplier name or trademark: TEKA

Model identifier: HBB 490 WH

Number of cavities: 1

Cavity 1

Energy Efficiency Index: 95,3

Energy Efficiency Class: A

Energy consumption per cycle (conventional mode): 0.81

Energy consumption per cycle (fan-forced convection mode): -

Volume: 72



HBB 490

ENERGY LABEL

ENERGY STAR
ENERG
HBB 490

A+++
A++
A+
A
B
C
D

A

72L

0.81 kWh/cycle*

- kWh/cycle*

*energia cyklu prouti cyklu namyvanu odu hradit objemu odhu odhu dnu odhu cyklu celi i odu program celi

65/2014