



# HBB 535 Conventional Oven with HydroClean cleaning system



76L



HydroClean

**DESCRIPTION**

Conventional Oven with HydroClean cleaning system

**LIFE STYLE**

Easy

**COLOURS**



**REFERENCE**

REF. 41560040  
EAN. 8421152148938

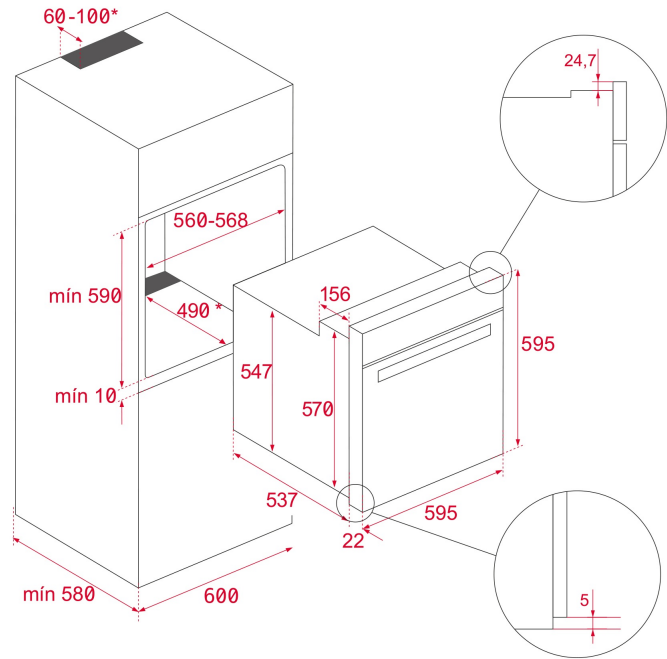


**TEKA**

**HBB 535**

**FEATURES**

Conventional oven  
3 cooking functions  
HydroClean system  
Mechanical control knobs  
Mechanical timer (Stop function)  
Chrome supports with 5 cooking levels  
Removable double glazed door  
Anti-tip deep tray  
Capacity (gross/net): 77 / 76 litres



## DIMENSIONS

**Product height (mm):** 595

**Product width (mm):** 595

**Product depth (mm):** 537+22

**Product length (mm):**

**Net weight (Kg):** 25

## TECH SPECS

### PARTICULAR CHARACTERISTICS

**Certificates:** N / CE / CCA / CB / EAC/ GMARK

**Number of cavities:** 1

**Type of inner light:** Halogen

**Inside light position:** RIGHT TOP CORNER

**Enamelled cavity:** Yes

**Min. Temperature Regulator (°C):** 50

**Max. Temperature Regulator (°C):** 250

**Function selector:** 3+0

**Number of cooking functions:** 3

**Grill + Bottom function:** Yes

**Grill function:** Yes

**Bottom function:** Yes

**Minute Minder:** Yes

**Knobs type:** MMX FIX knurling

**Removable chromed tray guides:** Yes

**Number of guide levels:** 5

### ELECTRIC CONNECTION

**Maximum Nominal Power (W):** 2593

**Frequency (Hz):** 50/60

**Power rate (V):** 220-240

## ENERGY CONSUMPTION

**Cable Connection Length (cm):** 110

**Inside light Consumption (W):** 25

**Energy consumption per cycle in conventional mode (kWh):**  
0.83

**Energy consumption per cycle in fan-forced convection mode (kWh):** No

**Bottom Heating Element (W):** 1150

**Bottom Heating Element (W) (lower cavity):** 1150

**Grill (W):** 1400

**Traditional (W):** 2550

**Cooling Fan Motor (W):** 18

## SECURITY SYSTEM

**Grill protection:** Yes

**Anti-tip tray system:** Yes

**Safety Thermostat:** Yes

## CLEANING SYSTEM

**Fingerprint proof stainless steel:** Yes

**Crystal Clean Enamel (Slippery):** Yes

**Hydroclean ECO:** Yes

## ACCESSORIES

**Deep Tray (50 mm):** 1

**Standard grid:** 1

## ENERGY EFFICIENCY

**Energy Efficiency Class:** A

**Energy Efficiency Index (EEI):** 94,8

## PRODUCT INFORMATION SHEET - DELEGATED REGULATION (EU) 65/2014

**Supplier name or trademark:** TEKA

**Model identifier:** HBB 535 SS

**Number of cavities:** 1

**Cavity 1**

**Energy Efficiency Index:** 94,8

**Energy Efficiency Class:** A

**Energy consumption per cycle (conventional mode):** 0.83

**Energy consumption per cycle (fan-forced convection mode):** -

**Volume:** 76



HBB 535

ENERGY LABEL

**ENERG**  
енергия · ενέργεια

**TEKA** HBB 535

A+++  
A++  
A+ **A**  
B  
C  
D

76L

0.83 kWh/cycle\*  
- kWh/cycle\*

\* цыкла - cycles - portion - siklus - przyborowa - ciclo - tsükkel - ohjelma - ciklus  
ciklus - cikli - ciklu - siklus - cykl - ciklu - program - cykel

65/2014