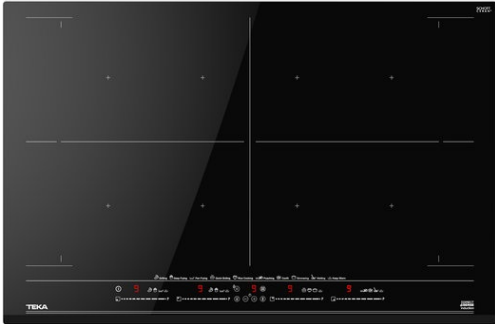




IZF 88700 MST BK 80cm DirectSense with FullFlex Induction with temperature sensors and RiceCooker function



MultiSlider



Autolock



Power



Power Plus



Easy
installation



Flex

DESCRIPTION

80cm DirectSense with FullFlex Induction with temperature sensors and RiceCooker function

LIFE STYLE

Maestro

COLOURS

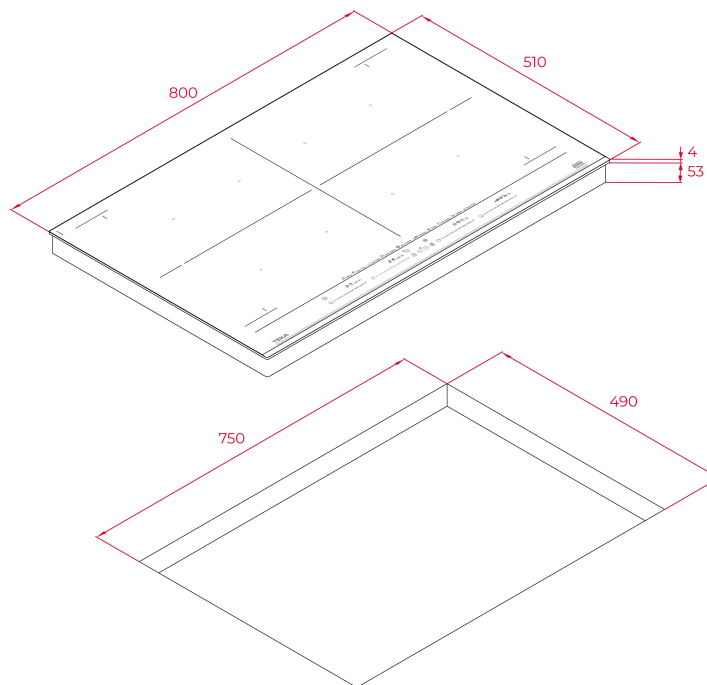


REFERENCE

REF. 112500029
EAN. 8434778011845

FEATURES

Urban Colors Edition
MasterSense Series
FullFlex Induction hob
SlideCooking Function
Direct functions with temperature sensors: Rice cooking, keep warm, confit, poaching, grilling, keep warm, pan frying, deep frying, quick boiling, simmering and melting.
Touch Control MultiSlider
4 cooking zones
4 zones Ø 296,5 X 197,5 mm
Ceramic glass surface
Auto-lock safety system
Cooking timer
Power plus child lock
Residual heat indicator
Power management
Easy installation kit
Maximum nominal power 7400 W



DIMENSIONS

Product height (mm): 57
Product width (mm): 800
Product depth (mm): 510
Product length (mm):
Net weight (Kg): 15

TECH SPECS

FITTING MEASURES

Built-in Width (mm): 750
Built-in Depth (mm): 490
Built-in height (mm): 53

FEATURES

Number of electric power levels: 9
Grilling: Yes
Pan frying: Yes
Deep frying: Yes
Simmering: Yes
Melting: Yes
Keeping warm: Yes
Confit: Yes
Poach: Yes
Rice Cook: Yes
Low-temp Function: Yes
Power management function: Yes

ELECTRIC CONNECTION

Maximum Nominal Power (W): 7400
Frequency (Hz): 50/60

Power rate (V): 220-240
Cable Connection Length (cm): 110
Maximum Nominal Power (W) (Electric hob): 7400

COOKING ZONES

Cooking Zones: 4

SAFETY SYSTEMS

Residual heat indicator (Electric hob): Yes
Automatic safety disconnection (Auto Lock) (Electric hob): Yes
Child lock: Yes

FINISH

Surface finishing: Front bevelled glass
Surface type: Ceramic Glass (4mm)
Easy installation system: Yes

ACCESSORIES

Junction Kit: Optional
Teppan Yaki: Optional

