



**DLV 99670 TOS** Vertical decorative hood with Rim extraction system in 90 cm



LED



Perimeter extraction



Stop Delay Timer



Fresh AIR

**DESCRIPTION**

Vertical decorative hood with Rim extraction system in 90 cm

**LIFE STYLE**

Maestro

**COLOURS**



**REFERENCE**

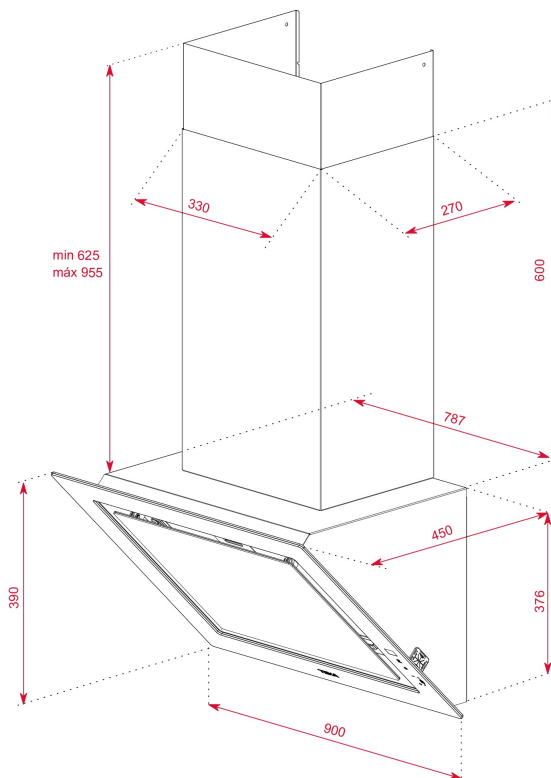
REF. 112930038  
EAN. 8434778012798

**FEATURES**

Urban Colors Edition  
Decorative vertical hood  
Touch control with display  
FreshAir function  
3 speeds + 1 intensive  
Intensive speed exhaust capacity (m<sup>3</sup>/h): 920  
Max speed exhaust capacity (m<sup>3</sup>/h): 625  
Min speed exhaust capacity (m<sup>3</sup>/h): 210  
Intensive speed sound level (dBA): 72  
Max speed sound level (dBA): 65  
Min speed sound level (dBA): 39  
1 LED lamp  
2 aluminium filters  
Stop delay timer  
Filter saturation indicator  
Anti-return valve included  
Outlet reduction included  
Optional recirculation kit with tube cover installation: CFH 15200 L3C  
Optional regenerative recirculation kit with tube cover installation: RFH 15200 L3C  
Optional recirculation kit without tube cover installation: CFH 15200 O2C  
Optional regenerative recirculation kit without tube cover installation: RFH 15200 O2C  
Optional Charcoal Filter: C1RTK  
Optional Regenerative filter: R1RTK

## DIMENSIONS

**Product height (mm):** 1001-1331  
**Product width (mm):** 900  
**Product depth (mm):** 450  
**Product length (mm):**  
**Net weight (Kg):** 21



## TECH SPECS

### FEATURES

**Ø Outlet (mm):** 150  
**Removable oil collector:** Yes  
**Type of inner light:** LED BAR  
**Inside light Consumption (W):** 7,5  
**Plug type:** Schuko plug  
**Cable Connection Length (cm):** 100  
**Power rate (V):** 220240  
**Frequency (Hz):** 50/60  
**Total hood power (W):** 228  
**Number of motors:** 1  
**Motor power (W):** 220  
**Air flow (Qmin) m<sup>3</sup>/h:** 210  
**Air flow (Qmax):** 625  
**Air flow (Qboost):** 920

### ACCESSORIES

**Anti Return valve:** Yes  
**Outlet reduction:** Yes  
**Optional Charcoal Filter:** C1RTK  
**Regenerative charcoal filter:** R1RTK  
**Conventional recirculation kit (opt) - w/tube cover:** CFH 15200

L3C

**Regenerative recirculation kit (opt) - w/tube cover:** RFH 15200

L3C

**Conventional recirculation kit (opt) - w/o tube cover:** CFH 15200

O2C

**Regenerative recirculation kit (opt) - w/o tube cover:** RFH  
15200 O2C

## **MODELS**

**Number of filters:** 2

**Filter description:** Aluminum filters

**Opening system:** Piston

**Control panel:** Touch control

**Stop delay timer:** Yes

**Filter saturation indicator:** Yes

**Time clock:** Yes

**Number of speeds:** 3 + 1

**Fresh air function:** Yes



DLV 99670 TOS

ENERGY LABEL

