



**LSI5 1481 EU** Washer dryer integrable 8kg capacity and 5kg drying system handwashable energy classification



Quick Cycle



Washing capacity: 8Kg

**DESCRIPTION**

Washer dryer integrable 8kg capacity and 5kg drying system handwashable energy classification

**LIFE STYLE**

Maestro

**COLOURS**



**REFERENCE**

REF. 114030004  
EAN. 8434778015423

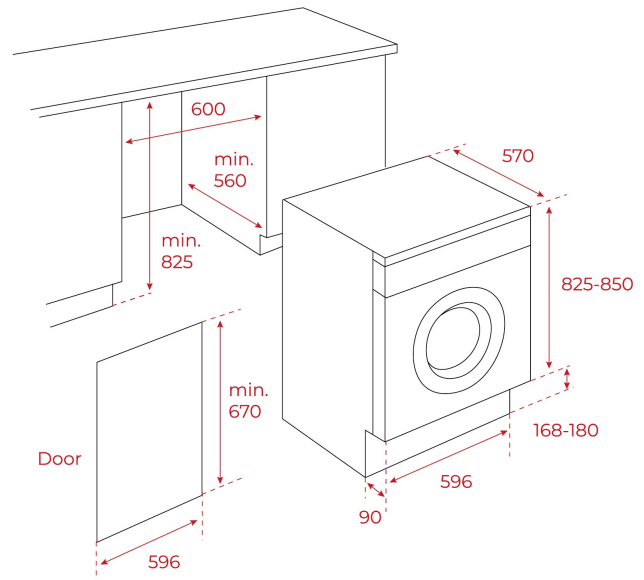


**TEKA**

**LSI5 1481 EU**

## **FEATURES**

Built-in Washer-Dryer  
Electronic control panel  
Washing capacity: 8 kg  
Drying capacity: 5 kg  
Washing programs: 13  
Drying programs: 2  
Fast program: 14 minutes  
Special programs: ECO mode, Delicate  
Special functions: Delay timer, Stain type, Time dry  
Condenser heat pump  
Maximum spinning speed: 1400 RPM  
Automatic water regulation  
Automatic door lock safety system  
Child lock  
SoftCare drum  
Delay timer: 1-24 hours  
35 cm wide porthole door



## DIMENSIONS

**Product height (mm):** 820  
**Product width (mm):** 596  
**Product depth (mm):** 570  
**Product length (mm):**  
**Net weight (Kg):** 64

## TECH SPECS

### PRODUCT SHEET

**Type of installation:** Built-in  
**Drying capacity (Kgs):** 5  
**Energy consumption (kWh/year):** 220  
**Water consumption (litres/year):** 11000

### POWER SUPPLY

**Frequency (Hz):** 50  
**Power rate (V):** 220-240  
**Maximum Nominal Power (W):** 1600  
**Nominal power motor (W):** 350  
**Power of heating element (W):** 1600

### FEATURES

**Stainless Steel Drum:** Yes  
**Number of programs:** 13  
**Control panel:** SYMBOL  
**Auto lock door:** Yes  
**Cancel spin cycle button:** Yes

**CONTROL INDICATOR LIGHTS**

**Selected program indicator:** Yes

**Remaining time:** Yes

**Drying:** Yes

**Dryer timer:** Yes

**SPECIAL FUNCTIONS**

**Fast program:** Yes

**Fast program (minutes):** 14

**Economic program:** Yes

**Intense program:** Yes

**Delicate fabrics:** Yes

**Resistant:** Yes

**EQUIPMENT**

**Adjustable Feet Back:** Yes

**Adjustable feet front:** Yes



LSI5 1481 EU

ENERGY LABEL

The energy label for the TEKA LSI5 1481 EU is a vertical rectangular sticker. At the top left is the European Union flag and the word "ENERGY" in blue. To the right is a QR code. Below this, the brand name "TEKA" and model "LSI5 1481 EU" are printed. The main part of the label features two energy efficiency scales. The left scale shows energy efficiency classes from A (green) to G (red), with a black arrow pointing to class D. The right scale shows energy efficiency classes from A (green) to G (red), with a black arrow pointing to class A. Below the scales, there are two energy consumption values: 266 kWh/100 cycles (with a washing machine icon) and 47 kWh/100 cycles (with a water tap icon). Further down, there are icons for detergent drawer capacity (5,0 kg and 8,0 kg), water consumption (75 L and 44 L), and spin speed (9:10 and 3:38). At the bottom, there are icons for vibration class (A, B, C, D, E, F, G) and sound power level (75 dB(A), with A, B, C, D classes). A small vertical text "P102021002" is located at the bottom right corner of the label.