



**DH2 985 ISLAND** 90cm A Decorative Hood with Touch Control display and ECOPOWER motor



A Energy Class



Stop delay timer



LED lighting

**DESCRIPTION**

90cm A Decorative Hood with Touch Control display and ECOPOWER motor

**LIFE STYLE**

Maestro

**COLOURS**

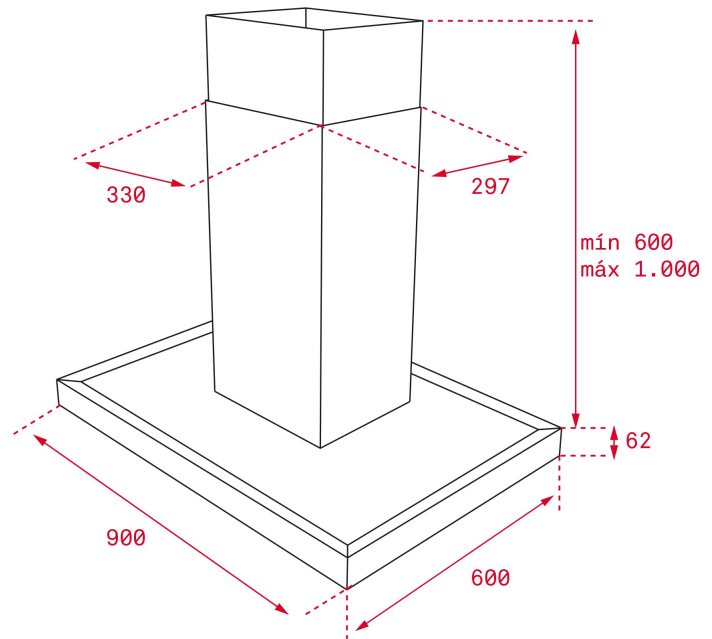


**REFERENCE**

REF. 40484640  
EAN. 8421152145715

**FEATURES**

Island hood  
EcoPower motor  
Energy Efficiency class: A  
Electronic panel  
White display  
Operating pilot light  
3 speeds + 1 intensive  
Exhaust capacities:  
Free Outlet, m<sup>3</sup>/h: 920  
Qboost, m<sup>3</sup>/h: 796  
Max., m<sup>3</sup>/h: 605  
Min., m<sup>3</sup>/h: 311  
Noise (LwA) Boost Speed, dB: 71  
Noise (LwA) Max Speed, dB: 66  
Noise (LwA) Min Speed, dB: 52  
4 LED lamps  
4/3 stainless steel-aluminium filters  
Reinforced Black Glass  
Easy to clean inside panel  
Stop delay timer  
Filter saturation indicator



## DIMENSIONS

**Product height (mm):** 817 /  
1117 + 62  
**Product width (mm):** 900  
**Product depth (mm):** 600  
**Net weight (Kg):** 36,01

## TECH SPECS

### PARTICULAR CHARACTERISTICS

**Easy-clean inside panel:** Yes  
**Certificates:** CE; CB; Rohs  
**Charcoal filter description:** CHARCOAL FILTER D4C  
**Plug type:** EU  
**Noise (LwA) boost speed (dB):** 71

**EU REGULATION NO. 65/2014  
&66/2104**

**Air flow (Qmax):** 605  
**Noise (LwA) Max Speed (dB):** 66  
**Standby Power (Ps) W:** 0,56  
**Energy Efficiency Class:** A  
**Fluid Dynamic Efficiency (FDEhood):** 32,3  
**Average illumination of the lighting system on the cooking surface (Emiddle) Lux:** 700  
**Air flow (Qboost):** 796  
**Fluid Dynamic Efficiency class:** A  
**Electric power input at best efficiency point (Wbep) W:** 133,7  
**Grease Filtering Efficiency class:** C  
**Light Efficiency (Lehood) lux/Watt:** 58,3  
**Time increase actor (f):** 0,8  
**Lighting Efficiency class:** A

**Air flow (Qmin) m3/h:** 311  
**Nominal power of the lighting system (WL) W:** 12  
**Noise (LwA) Min Speed (dB):** 52  
**Noise (LwA) boost speed (dB):** 71

## **ACCESSORIES**

**Outlet reduction:** Yes  
**Anti Return valve:** Yes  
**Optional Charcoal Filter:** D4C

## **MODELS**

**Stop delay timer:** Yes  
**Filter saturation indicator:** Yes  
**Inside light (Led-Halogen-Incandescent):** LED  
**Exhaust Capacity - Free Outlet (m3/h):** 920  
**Filter description:** Stainless Steel filters  
**Number of filters:** 3  
**Number of speeds:** 3+1  
**Control panel:** Backlit electronic control with white display



DH2 985 ISLAND

ENERGY LABEL

