



PERFECTA4 DLH 985 T 90cm Decorative Hood with Touch Control Display and ECOPOWER A4 motor



A Energy Class



Stop delay timer



LED lighting



Full A 4 energy label: A class in energy efficiency, fluid dynamic, lightning and grease filtering.

DESCRIPTION

90cm Decorative Hood with Touch Control Display and ECOPOWER A4 motor

LIFE STYLE

Maestro

COLOURS

REFERENCE

REF. 40437100
EAN. 8421152145661

FEATURES

Ultraslim decorative hood
EcoPower motor
Energy Efficiency class: A
4A (Energy efficiency A, Fluid dynamic efficiency A, lighting efficiency A, grease filtering efficiency A)
Touch control panel
Operating Pilot Light
3 speeds + 1 intensive
Exhaust capacities:
Free Outlet, m³/h: 795
Qboost, m³/h: 740
Max., m³/h: 586
Min., m³/h: 306
Noise (LwA) Boost Speed, dB: 72
Noise (LwA) Max Speed, dB: 68
Noise (LwA) Min Speed, dB: 54
1 LED BAR
3 stainless steel filters (12 layers)
Stop delay timer
Filter saturation indicator

DIMENSIONS

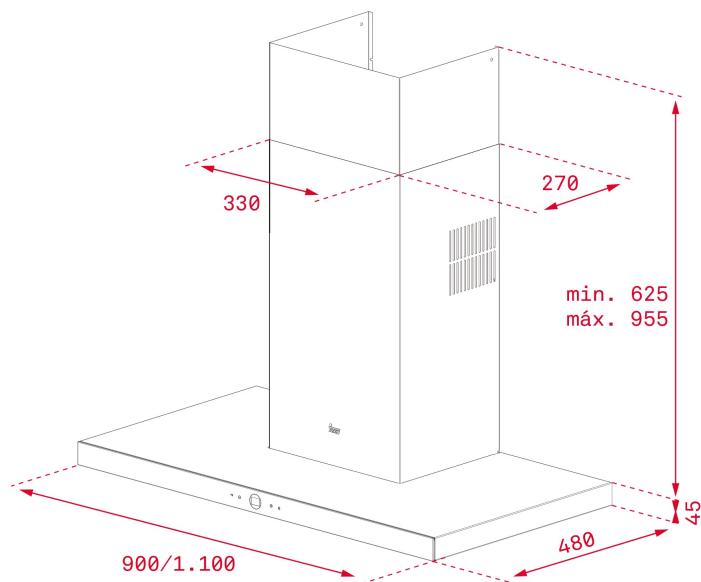
Product height (mm): 670-1000

Product width (mm): 900

Product depth (mm): 480

Product length (mm):

Net weight (Kg): 15,33



TECH SPECS

PARTICULAR CHARACTERISTICS

Type of hood: Horizontal
Style: Decoratives
Certificates: CE; CB; Rohs
Type of inner light: LED
Inside light Consumption (W): 17
Plug type: Schuko plug
Power rate (V): 230
Frequency (Hz): 50
Total hood power (W): 287
Number of motors: 1
Motor power (W): 280
Exhaust Capacity - Free Outlet (m3/h): 795

**EU REGULATION NO. 65/2014
&66/2104**

Annual energy consumption AEC kWh/annum (kWh): 41,0
Energy Efficiency Class: A
Fluid Dynamic Efficiency (FDEhood): 34,3
Fluid Dynamic Efficiency class: A
Light Efficiency (Lehood) lux/Watt: 55,7
Lighting Efficiency class: A
Grease Filtering Efficiency class: A

Air flow (Qmin) m³/h: 352
Air flow (Qmax): 651
Air flow (Qboost): 760
Noise (LwA) Min Speed (dB): 54
Noise (LwA) Max Speed (dB): 68
Noise (LwA) boost speed (dB): 72
Off mode Power (Po) W: 0,32
Energy Efficiency Index (EEI): 47,2
Time increase factor: 0,8
Electric power input at best efficiency point (Wbep) W: 123,0
Nominal power of the lighting system (WL) W: 7
Average illumination of the lighting system on the cooking surface (Emiddle) Lux: 390

ACCESSORIES

Anti Return valve: Yes
Outlet reduction: Yes
Optional Charcoal Filter: D4C
Charcoal filter description: CHARCOAL FILTER D4C
Conventional recirculation kit (with tube cover): 40490147

MODELS

Number of filters: 3
Filter description: Stainless Steel filters MMX
Control panel: Touch Control (Glass Front) white display
Stop delay timer: Yes
Filter saturation indicator: Yes
Time clock: Yes
Easy-clean inside panel: Yes
Number of speeds: 3+1



PERFECTA4 DLH 985 T

ENERGY LABEL

