



LP9 850 A++ Free Standing Dishwasher for 14 place settings and third tray for cutlery



ECO function



A Energy Class



MultiFlex-3,
with flexible
cutlery tray



Extra Dry
function



SmartSensor

DESCRIPTION

A++ Free Standing Dishwasher for 14 place settings and third tray for cutlery

LIFE STYLE

Maestro

COLOURS

REFERENCE

REF. 40782501
EAN. 8421152153758

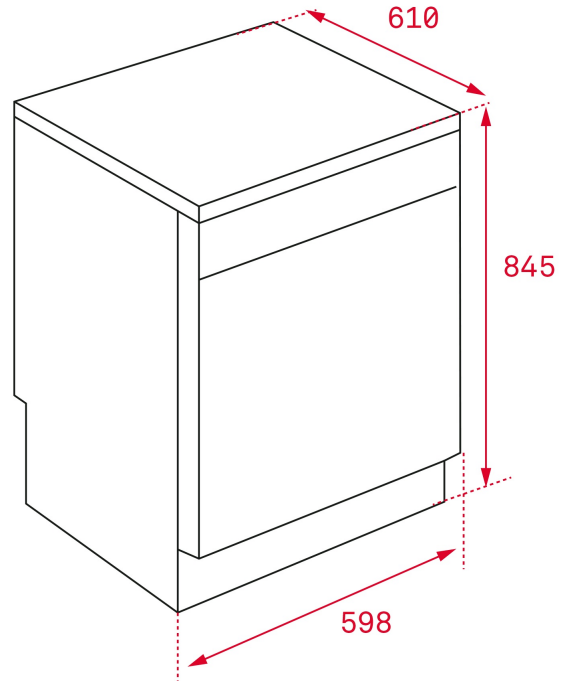


TEKA

LP9 850

FEATURES

Free-standing dishwasher
Electronic control panel with display
Place settings: 14
Multifunctional third cutlery basket
Third sprayer
Washing programs: 8
Washing temperatures: 40°, 45°, 50°, 55°, 60°, 65°C
Dual Half load
Fast program 30 minutes
Eco Program
Full AquaStop safety system
Delay timer 1-24 hours
Adjustable upper basket (push-up)
Energy Class: A+++/A
Noise level: 44 dBA

TEKA**LP9 850**

DIMENSIONS

Product height (mm): 845
Product width (mm): 598
Product depth (mm): 610
Product length (mm):
Net weight (Kg): 45,5

TECH SPECS

FITTING MEASURES

Built-in niche height (cm): NA
Maximum door height (mm): 707
Door width (mm): 587

PRODUCT SHEET

Capacity (Place Settings): 14
Energy Efficiency Class: A+++
Energy consumption (kWh/year): 237
Power consumption (Kwh): 0,83
Water consumption (litres/year): 2800
Water consumption (litres): 10
Washing efficiency: A
Drying efficiency class: A
Standard program: ECO
Standard cycle duration (minutes): 220
Noise level (dB): 44
Certificates: GS/CE/EMC/Rohs

POWER SUPPLY

Frequency (Hz): 50
Power rate (V): 220-240

**PARTICULAR
CHARACTERISITICS**

Power rate (W): 1760-2100
Plug type: EU
Maximum Nominal Power (W): 2100

Type of installation: Free standing
Control panel: Electronic buttons
Control panel display: Yes
Number of programs: 8
Number Of Washing Temperatures: 6
Aqua-Logic: Yes
Water softener: Yes
Microfilter: Yes

SECURITY SYSTEM

Internal Leakage Control: Yes
Aquastop: Yes

CONTROL INDICATOR LIGHTS

Low Salt Aid indicator: Yes
Low Rinse Aid indicator: Yes
Selected program indicator: Yes
Remaining time: Yes
End of program acoustic alarm: Yes
End of program visual alarm: Yes

SPECIAL FUNCTIONS

Soak/Prewash program: Yes
Economic program: Yes
Alternative wash (Zone Wash): Yes
Delayed Timer (h): 1-24

EQUIPMENT

3rd Basket: Yes
3rd sprayer: Yes



LP9 850

ENERGY LABEL

