



DSJ 980 90cm A Decorative Hood with EcoPower motor



LED lighting

DESCRIPTION

90cm A Decorative Hood with EcoPower motor

LIFE STYLE

Easy

COLOURS

REFERENCE

REF. 40484821
EAN. 8421152157329



TEKA

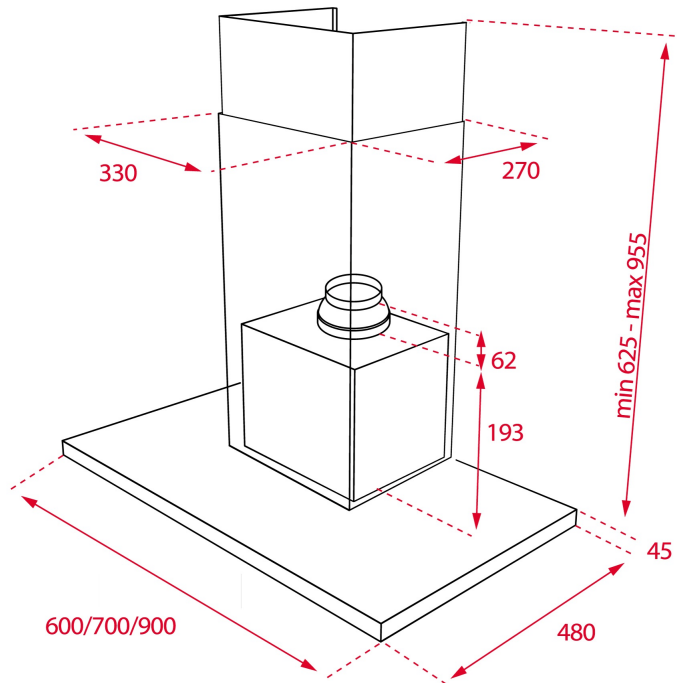
DSJ 980

FEATURES

Ultraslim decorative hood
Push Buttons Control Panel
Operating Pilot Light
Conventional Aspiration Type
3 speeds
Exhaust capacities:
Free Outlet (m³/h): 638
Max. (m³/h): 614
Min. (m³/h): 268
Noise (LwA) Max Speed 66 dB
Noise (LwA) Min Speed 48 dB
Integrated LED Light
3 stainless Steel-aluminum Filter

DIMENSIONS

Product height (mm): 670-1000
Product width (mm): 900
Product depth (mm): 480
Product length (mm):
Net weight (Kg): 15,33



TECH SPECS

PARTICULAR CHARACTERISTICS

Type of hood: Horizontal
Style: Decoratives
Certificates: CE; CB; Rohs
Type of inner light: LED
Inside light Consumption (W): 1,5
Plug type: Schuko plug
Power rate (V): 230
Frequency (Hz): 50/60
Total hood power (W): 223
Number of motors: 1
Motor power (W): 220
Exhaust Capacity - Free Outlet (m3/h): 638

**EU REGULATION NO. 65/2014
&66/2104**

Annual energy consumption AEC kWh/annum (kWh): 96,7
Energy Efficiency Class: C
Fluid Dynamic Efficiency (FDEhood): 16,4
Fluid Dynamic Efficiency class: D
Light Efficiency (Lehood) lux/Watt: 31,7
Lighting Efficiency class: A
Grease Filtering Efficiency class: C

Air flow (Qmin) m³/h: 268

Air flow (Qmax): 614

Noise (LwA) Min Speed (dB): 48

Noise (LwA) Max Speed (dB): 66

Energy Efficiency Index (EEI): 81,5

Time increase factor: 1,4

Electric power input at best efficiency point (Wbep) W: 185,0

Nominal power of the lighting system (WL) W: 3

Average illumination of the lighting system on the cooking surface (Emiddle) Lux: 95

ACCESSORIES

Anti Return valve: Yes

Outlet reduction: Yes

Optional Charcoal Filter: D1C

Charcoal filter description: CHARCOAL FILTER D1C

Conventional recirculation kit (with tube cover): 40490150

MODELS

Number of filters: 3

Filter description: Stainless Steel filters

Control panel: Rectangular Push Buttons

Number of speeds: 4



DSJ 980

ENERGY LABEL

