



DP 985 T Wall hood DP 985 T



A Energy Class



Stop delay timer



LED lighting



Rim extraction

DESCRIPTION

Wall hood DP 985 T

LIFE STYLE

Maestro

COLOURS



REFERENCE

REF. 40483030
EAN. 8421152130162



TEKA

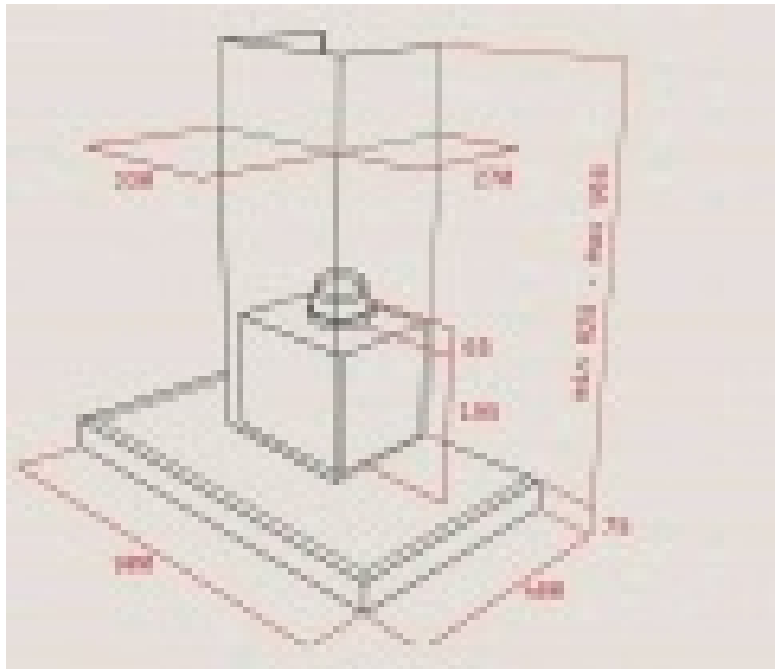
DP 985 T

FEATURES

Decorative hood
Eco power
Touch control panel
Rim extraction
3 speeds + 1 intensive
Exhaust capacities:
Free Outlet (m³/h) 920
Max. (m³/h) 782
Min. (m³/h) 331
Noise (LwA) Max Speed 66 dB
Noise (LwA) Min Speed 54 dB
LED illumination
2 aluminium filters
Stop delay timer
Time clock
Reinforced black glass upper structure

DIMENSIONS

Product height (mm):
 Product width (mm): 900
 Product depth (mm):
 Product length (mm):
 Net weight (Kg):



TECH SPECS

PARTICULAR CHARACTERISTICS

Type of hood: Horizontal
Style: Decoratives
Type of inner light: LED
Power rate (V): 220-240
Frequency (Hz): 50/60
Total hood power (W): 292
Number of motors: 1
Motor power (W): 280
Exhaust Capacity - Free Outlet (m3/h): 850

EU REGULATION NO. 65/2014 & 66/2104

Annual energy consumption AEC kWh/annum (kWh): 49,3
Energy Efficiency Class: A
Fluid Dynamic Efficiency (FDEhood): 32,1
Fluid Dynamic Efficiency class: A
Light Efficiency (Lehood) lux/Watt: 58,3
Lighting Efficiency class: A
Grease Filtering Efficiency class: C
Air flow (Qmin) m3/h: 331
Air flow (Qmax): 629
Air flow (Qboost): 782
Noise (LwA) Min Speed (dB): 54
Noise (LwA) Max Speed (dB): 66
Off mode Power (Po) W: 0,00
Standby Power (Ps) W: 1,10

Time increase factor: 0,8
Electric power input at best efficiency point (Wbep) W: 139,0
Nominal power of the lighting system (WL) W: 12,0
Average illumination of the lighting system on the cooking surface (Emiddle) Lux: 700

ACCESSORIES

Anti Return valve: Yes
Outlet reduction: Yes
Outlet extension: No
Optional Charcoal Filter: D4C

MODELS

Number of filters: 2
Filter description: Stainless steel panel; aluminum filters below
Control panel: Touch Control
Stop delay timer: Yes
Number of speeds: 3+1



DP 985 T

ENERGY LABEL

