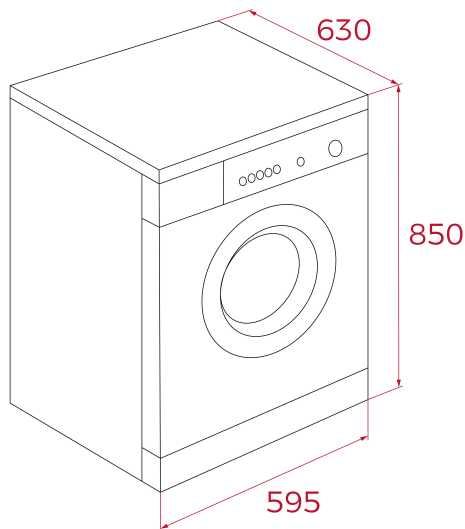


TEKA**WDK 81050 WH**

Washer-dryer with 10kg washing capacity and 7kg drying capacity

Quick
Cycle**REFERENCE**

REF: 113960013

EAN: 8434778032680

FEATURES

Free standing Washer-Dryer
Electronic control panel
Washing capacity: 10 kg
Drying capacity: 7 kg
Fast program: 15 min
ECO mode program
Wool care program
Delicate program
Delay timer function
Speed wash function
Steam function
Extra rinse function
Condenser dryer
Maximum spinning speed: 1500 RPM
Automatic water regulation
Automatic door lock safety system
Child lock
33 cm wide porthole door

DIMENSIONS**Product height (mm):** 850**Product width (mm):** 595**Product depth (mm):** 630**Product length (mm):****Net weight (Kg):** 72**TECHNICAL DETAILS**

Energy efficiency class (UE 2019/2016): B

Washing performance Class: B

Spin-drying Efficiency Class: B

Energy Consumption (Kw/day): -

Water consumption (litres/year): -

Noise Level (dBA): + 80 +

Power rate (V): 220-240 V~

Frequency (Hz): 50 Hz

COLOURS

113960013

White