



# NFE3 620 X Full No Frost Side By Side Refrigerator 179cm with 2 doors and Touch panel



On Holidays  
function



Eco Function



Fresh Box



Full No Frost



LED

## DESCRIPTION

Full No Frost Side By Side Refrigerator 179cm with 2 doors and Touch panel

## LIFE STYLE

Maestro

## COLOURS

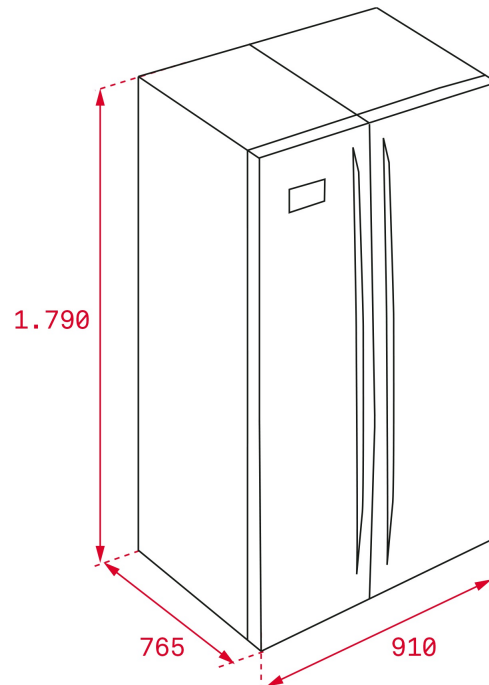


## REFERENCE

REF. 40659530  
EAN. 8421152119563

**FEATURES**

Full No Frost side by side refrigerator  
Touch control panel  
LCD digital display  
Fingerprint proof stainless steel door  
4 \* freezer  
Intelligent cooling system  
3 antibacterial systems  
Fuzzy logic temperature control system  
Eco function  
On holidays function  
Fast Freeze / Quick Cool function  
Pilot lights : fuzzy logic, super freezing, refrigerator/freezer temperature  
Safety glass shelves  
LED inner light  
0-3° Zone  
1 vegetable drawer  
Chromed bottle rack  
Climate Class : SN-T  
Noise level : 45 dBA  
Total gross capacity : 640 litres  
Net capacity ( fridge ): 353 litres  
Net capacity ( chiller ): 15 litres  
Net capacity ( freezer ): 190 litres  
Voltage : 220-240v/50 Hz



## DIMENSIONS

**Product height (mm):** 1790  
**Product width (mm):** 910  
**Product depth (mm):** 765  
**Product length (mm):**  
**Net weight (Kg):** 113,7

## TECH SPECS

### FITTING MEASURES

**Built-in Width (mm):** 0  
**Built-in Depth (mm):** 0  
**Built-in Height (mm):** 0

### PRODUCT SHEET

**Cooling system:** FULL NF  
**No Frost In Refrigerator Compartment:** Yes  
**No Frost in freezer compartment:** Yes  
**Total gross capacity (litres):** 635  
**Refrigerator compartment capacity (litres):** 338  
**Chilling Compartment Capacity (litres):** 15  
**Freezer compartment capacity (litres):** 190  
**Freezer classification:** 4  
**Freezing capacity:** 13,0  
**Annual Consumption (kWh/year):** 485  
**Temperature Rise Time (h):** 8  
**Climate class:** SN/T  
**Noise level (dB):** 43  
**Certificates:** CE, CB

## POWER SUPPLY

**Frequency (Hz):** 50  
**Power rate (V):** 220-240  
**Power rate (W):** 135  
**Defrost element power (W):** 160  
**Energy consumption (kw/day):** 1,329

## PARTICULAR CHARACTERISTICS

**Type of installation:** Free standing  
**Automatic defrosting in the refrigeration compartment:** Yes  
**Automatic defrosting in the freezer compartment:** Yes  
**Electronic adjustable thermostat:** Yes  
**Display on door:** Yes  
**Fingerprint proof door:** Yes  
**Antibacterial treatment:** YES  
**Freezing set button:** Yes  
**Cooling set button:** Yes  
**Lock function:** Yes  
**Fast freezing:** Yes  
**Fast Cooling Function:** Yes  
**On Holidays Function:** Yes  
**ECO function:** Yes  
**Inner light:** Yes  
**Type of inner light:** LEDS ON SIDE  
**External handle:** Yes

## CONTROL INDICATOR LIGHTS

**Operating light fridge:** Yes  
**Operating light freezer:** Yes  
**Freezer compartment temperature display:** Yes  
**Fast freezing indicator:** Yes  
**Acoustic alarm:** Yes  
**Visual alarm:** Yes

## EQUIPMENT

**Antibacterial gasket:** Yes  
**Multipurpose compartment:** NO  
**Adjustable feet front:** Yes  
**Roller (rear):** Yes  
**Refrigerator adjustable shelves:** Yes  
**Vegetable drawers:** 2  
**Temperature and humidity regulation in drawers:** FRESH BOX

## PRODUCT INFORMATION SHEET (UE) 2019/2016

**Supplier name or trademark:** TEKA  
**Supplier's address:** C/Cajo, 17, 39011, Santander , Spain  
**Model identifier:** NFE3 620 X

### Type of refrigerating appliance

### Overall dimensions (mm)

**Height:** 1790  
**Width:** 910  
**Depth:** 765  
**Climate class:** SN/T

### Light source parameters

### Light source parameters

### Additional information:

Weblink to the manufacturer's website, where the information in point 4(a) Annex of Commission Regulation (EU) 2019/2019 (1) (b) is found: (a) as determined in accordance with Commission Delegated Regulation (EU) 2019/2015 (2). (b) changes to these items shall not be considered relevant for the

purposes of point 4 of Article 4 of Regulation (EU) 2017/1369.

(c) if the product database automatically generates the definitive content of this cell the supplier shall not enter these data.

(1) Commission Regulation (EU) 2019/2019 of 1 October 2019 laying down ecodesign requirements for refrigerating appliances pursuant to Directive 2009/125/EC of the European Parliament and of the Council and repealing Commission Regulation (EC) No 643/2009 (see page 187 of this Official Journal).(2)

(2) Commission Delegated Regulation (EU) 2019/2015 of 11 March 2019 supplementing Regulation (EU) 2017/1369 of the European Parliament and of the Council with regard to energy labelling of light sources and repealing Commission Delegated Regulation (EU) No 874/2012 (see page 68 of this Official Journal).

