



FTM 410 Free standing refrigerator Defrost 176cm with 2 reversible doors



76L



Fresh Box

DESCRIPTION

Free standing refrigerator Defrost 176cm with 2 reversible doors

LIFE STYLE

Total

COLOURS



REFERENCE

REF. 40672042
EAN. 8421152144466

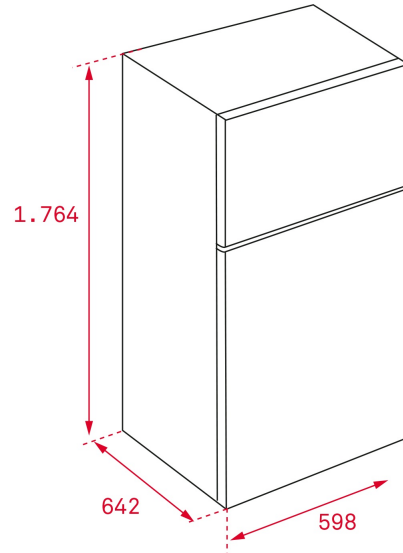


TEKA

FTM 410

FEATURES

Free standing refrigerator
Automatic defrost in fridge
Adjustable thermostast
Adjustable shelves
1 FreshBox drawer
Reversible doors
Adjustable feet (front/rear)
Climate Class: N/T
Total gross capacity : 320 litres
Net capacity: 244 76 litres



DIMENSIONS

Product height (mm): 1764
Product width (mm): 598
Product depth (mm): 642
Product length (mm):
Net weight (Kg): 54

TECH SPECS

FITTING MEASURES

Built-in Width (mm): 0
Built-in Depth (mm): 0
Built-in Height (mm): 0

PRODUCT SHEET

Cooling system: Defrost
Refrigerator compartment capacity (litres): 244
Freezer compartment capacity (litres): 76
Freezer classification: 4
Freezing capacity: 3,5
Annual Consumption (kWh/year): 224
Temperature Rise Time (h): 10
Climate class: N/T
Noise level (dB): 43
Certificates: CE, TUV, GS

POWER SUPPLY

Frequency (Hz): 50
Power rate (V): 220-240
Power rate (W): 90
Energy consumption (kw/day): 0,613

**PARTICULAR
CHARACTERISTICS**

Cable Connection Length (cm): 170

Type of installation: Free standing

Automatic defrosting in the refrigeration compartment: Yes

Antibacterial treatment: NO

Cooling set button: Yes

Inner light: Yes

Type of inner light: BULB

Reversible doors: Yes

Integrated handle: Yes

EQUIPMENT

Multipurpose compartment: NO

Bottle rack type: NO

Adjustable feet front: Yes

Roller (rear): Yes

Vegetable drawers: 1

Temperature and humidity regulation in drawers: FRESH BOX

**PRODUCT INFORMATION
SHEET (UE) 2019/2016**

Supplier name or trademark: TEKA

Supplier's address: C/Cajo, 17, 39011, Santander , Spain

Model identifier: FTM 410

Type of refrigerating appliance

Overall dimensions (mm)

Height: 1764

Width: 598

Depth: 642

Climate class: N/T

Light source parameters

Light source parameters

Additional information:

Weblink to the manufacturer's website, where the information in point 4(a) Annex of Commission Regulation (EU) 2019/2019 (1) (b) is found:
(a) as determined in accordance with Commission Delegated Regulation (EU) 2019/2015 (2).

(b) changes to these items shall not be considered relevant for the purposes of point 4 of Article 4 of Regulation (EU) 2017/1369.

(c) if the product database automatically generates the definitive content of this cell the supplier shall not enter these data.

(1) Commission Regulation (EU) 2019/2019 of 1 October 2019 laying down ecodesign requirements for refrigerating appliances pursuant to Directive 2009/125/EC of the European Parliament and of the Council and repealing Commission Regulation (EC) No 643/2009 (see page 187 of this Official Journal).(2)

(2) Commission Delegated Regulation (EU) 2019/2015 of 11 March 2019 supplementing Regulation (EU) 2017/1369 of the European Parliament and of the Council with regard to energy labelling of light sources and repealing Commission Delegated Regulation (EU) No 874/2012 (see page 68 of this Official Journal).

