



TGI2 200 NF Built-in No Frost Freezer 177cm with 1 door and 6 separate compartments



Easy 90



Full No Frost

DESCRIPTION

Built-in No Frost Freezer 177cm with 1 door and 6 separate compartments

LIFE STYLE

Total

COLOURS



REFERENCE

REF. 40694410
EAN. 8421152085011



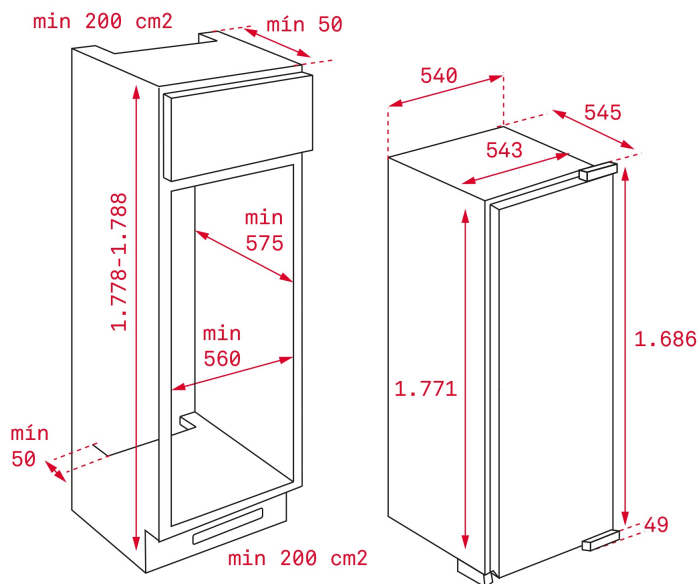
TGI2 200 NF

FEATURES

Built-in freezer
Full No Frost
Electronic control panel
4* freezer
No frost freezer
Door on door installation
Reversible door
:
Climate Class: SN-T
Total gross capacity: 220 litres
Net capacity: 196 litres

DIMENSIONS

Product height (mm): 1775
Product width (mm): 540
Product depth (mm): 545
Product length (mm):
Net weight (Kg): 61,5



TECH SPECS

FITTING MEASURES

Built-in niche (cm): 178

PRODUCT SHEET

Cooling system: FULL NF
No Frost in freezer compartment: Yes
Total gross capacity (litres): 220
Freezer compartment capacity (litres): 196
Freezer classification: 4
Freezing capacity: 10,0
Annual Consumption (kWh/year): 296
Temperature Rise Time (h): 15
Climate class: SN/T
Noise level (dB): 42

POWER SUPPLY

Frequency (Hz): 50
Power rate (V): 220-240
Power rate (W): 110
Defrost element power (W): 175
Energy consumption (kw/day): 0,81
Plug type: European

**PARTICULAR
CHARACTERISTICS**

Cable Connection Length (cm): 190

Type of installation: Built-in
Automatic defrosting in the freezer compartment: Yes
Electronic control: Yes
Control panel: Electronic
Electronic adjustable thermostat: Yes
Antibacterial treatment: NO
Freezing set button: Yes
Fast freezing: Yes
Reversible doors: Yes

CONTROL INDICATOR LIGHTS

Freezer compartment temperature display: Yes
Fast freezing indicator: Yes
Acoustic alarm: Yes

EQUIPMENT

Antibacterial gasket: Yes
Multipurpose compartment: NO
Ice cubes tray: 1
Adjustable feet front: Yes
Roller (rear): Yes

**PRODUCT INFORMATION
SHEET (UE) 2019/2016**

Supplier name or trademark: TEKA
Supplier's address: C/Cajo, 17, 39011, Santander , Spain
Model identifier: TGI2 200 NF

Type of refrigerating appliance

Design type: NA

Overall dimensions (mm)

Height: 1775

Width: 540

Depth: 545

Total volume (dm³ or l): NA

Airborne acoustical noise emissions (dB(A) re 1 pW): NA

Airborne acoustical noise emission class: NA

Annual energy consumption (kWh/a): NA

Climate class: SN/T

Minimum ambient temperature (°C), for which the refrigerating appliance is suitable: NA

Maximum ambient temperature (°C), for which the refrigerating appliance is suitable: NA

Light source parameters

Light source - Type of light source: NA

Light source - Energy efficiency class: NA

Light source parameters

Light source - Type of light source: NA

Light source - Energy efficiency class: NA

Additional information:

Weblink to the manufacturer's website, where the information in point 4(a) Annex of Commission Regulation (EU) 2019/2019 (1) (b) is found: (a) as determined in accordance with Commission Delegated Regulation (EU) 2019/2015 (2). (b) changes to these items shall not be considered relevant for the purposes of point 4 of Article 4 of Regulation (EU) 2017/1369.

(c) if the product database automatically generates the definitive content of this cell the supplier shall not enter these data.

(1) Commission Regulation (EU) 2019/2019 of 1 October 2019 laying down ecodesign requirements for refrigerating appliances pursuant to Directive 2009/125/EC of the European Parliament and of the Council and repealing Commission Regulation (EC) No 643/2009 (see page 187 of this Official Journal).(2)

(2) Commission Delegated Regulation (EU) 2019/2015 of 11 March 2019 supplementing Regulation (EU) 2017/1369 of the European Parliament and of the Council with regard to energy labelling of light sources and repealing Commission Delegated Regulation (EU) No 874/2012 (see page 68 of this Official Journal).



TEKA TGI2 200 NF

ENERGY LABEL

TEKA TGI2 200 NF EU

Energy efficiency class: **F**

298 kWh/annum

220 L

39 dB

ABCD

9182/2016