



NFE2 320 Full No Frost Combi refrigerator 188cm with 2 doors and Touch control panel



Eco Function



Fresh Box



Full No Frost



Zero Box

DESCRIPTION

Full No Frost Combi refrigerator 188cm with 2 doors and Touch control panel

LIFE STYLE

Maestro

COLOURS

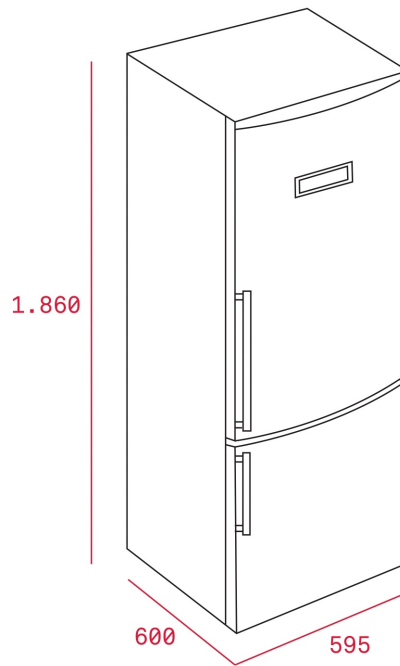


REFERENCE

REF. 40698131
EAN. 8421152112250

FEATURES

Full No Frost combi refrigerator
Touch control panel
LCD digital display
Fingerprint proof stainless steel
4 * freezer
Fuzzy Logic temperature control system
Eco function
Fast Freeze / Quick Cool function
Antibacterial systems
Safety glass shelves
0-3° Zone
2 vegetable drawers
Chromed bottle rack
Climate Class : SN-T
Noise level : 43 dBA
Total gross capacity : 320 litres
Net capacity (fridge): 172 litres
Net capacity (chiller): 25 litres
Net capacity (freezer): 90 litres
Voltage : 220-240v/50 Hz



DIMENSIONS

Product height (mm): 1860

Product width (mm): 595

Product depth (mm): 600

Product length (mm):

Net weight (Kg): 62

TECH SPECS

PRODUCT SHEET

Cooling system: FULL NF

No Frost In Refrigerator Compartment: Yes

No Frost in freezer compartment: Yes

Total gross capacity (litres): 320

Refrigerator compartment capacity (litres): 172

Chilling Compartment Capacity (litres): 25

Freezer compartment capacity (litres): 90

Freezer classification: 4

Freezing capacity: 5,0

Annual Consumption (kWh/year): 333

Temperature Rise Time (h): 17

Climate class: SN/T

Noise level (dB): 40

Certificates: CE, TUV

POWER SUPPLY

Frequency (Hz): 50

Power rate (V): 220-240

Power rate (W): 120

Defrost element power (W): 127

Energy consumption (kw/day): 0,913

PARTICULAR

Type of installation: Free standing

CHARACTERISTICS

Automatic defrosting in the refrigeration compartment: Yes

Automatic defrosting in the freezer compartment: Yes

Electronic adjustable thermostat: Yes

Display on door: Yes

Fingerprint proof door: Yes

Antibacterial treatment: YES

Freezing set button: Yes

Cooling set button: Yes

Fast freezing: Yes

Fast Cooling Function: Yes

ECO function: Yes

Inner light: Yes

Reversible doors: Yes

External handle: Yes

CONTROL INDICATOR LIGHTS

Operating light fridge: Yes

Operating light freezer: Yes

Freezer compartment temperature display: Yes

Fast freezing indicator: Yes

Acoustic alarm: Yes

Visual alarm: Yes

EQUIPMENT

Chromed bottle rack: 5

Antibacterial gasket: Yes

Multipurpose compartment: NO

Ice cubes tray: 1

Bottle rack type: CHROMED

Adjustable feet front: Yes

Roller (rear): Yes

Refrigerator adjustable shelves: Yes

Vegetable drawers: 2

Temperature and humidity regulation in drawers: FRESH BOX

PRODUCT INFORMATION SHEET (UE) 2019/2016

Supplier name or trademark: TEKA

Supplier's address: C/Cajo, 17, 39011, Santander , Spain

Model identifier: NFE2 320

Type of refrigerating appliance

Overall dimensions (mm)

Height: 1860

Width: 595

Depth: 600

Climate class: SN/T

Light source parameters

Light source parameters

Additional information:

Weblink to the manufacturer's website, where the information in point 4(a) Annex of Commission Regulation (EU) 2019/2019 (1) (b) is found:

(a) as determined in accordance with Commission Delegated Regulation (EU) 2019/2015 (2).

(b) changes to these items shall not be considered relevant for the purposes of point 4 of Article 4 of Regulation (EU) 2017/1369.

(c) if the product database automatically generates the definitive content of this cell the supplier shall not enter these data.

(1) Commission Regulation (EU) 2019/2019 of 1 October 2019 laying down ecodesign requirements for refrigerating appliances pursuant to Directive 2009/125/EC of the European Parliament and of the Council and repealing Commission Regulation (EC) No 643/2009 (see page 187

of this Official Journal).(2)

(2) Commission Delegated Regulation (EU) 2019/2015 of 11 March 2019 supplementing Regulation (EU) 2017/1369 of the European Parliament and of the Council with regard to energy labelling of light sources and repealing Commission Delegated Regulation (EU) No 874/2012 (see page 68 of this Official Journal).

