



TGF3 270 NF Full No Frost Free standing freezer 171cm with 1 door and 7 independent compartments



Full No Frost

DESCRIPTION

Full No Frost Free standing freezer 171cm with 1 door and 7 independent compartments

LIFE STYLE

Total

COLOURS



REFERENCE

REF. 40698420
EAN. 8421152122464

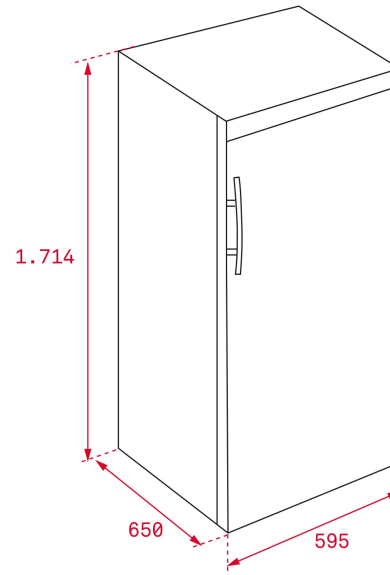


TEKA

TGF3 270 NF

FEATURES

Free standing freezer
No Frost
Electronic control panel
4* freezer
Fast Freeze function
Antibacterial gasket
7 independent compartments
Ice cube tray
:
Climate Class: SN-T
Total gross capacity: 290 litres
Net capacity: 255 litres



DIMENSIONS

Product height (mm): 1714
Product width (mm): 595
Product depth (mm): 655
Product length (mm):
Net weight (Kg): 64,5

TECH SPECS

FITTING MEASURES

Built-in Width (mm): 0
Built-in Depth (mm): 0
Built-in Height (mm): 0

PRODUCT SHEET

Cooling system: FULL NF
No Frost in freezer compartment: Yes
Total gross capacity (litres): 290
Freezer compartment capacity (litres): 250
Freezer classification: 4
Freezing capacity: 16
Annual Consumption (kWh/year): 307
Temperature Rise Time (h): 18
Climate class: SN/T
Noise level (dB): 42
Certificates: CE, TUV, GS

POWER SUPPLY

Frequency (Hz): 50
Power rate (V): 220-240
Power rate (W): 75

**PARTICULAR
CHARACTERISTICS**

Defrost element power (W): 175
Energy consumption (kw/day): 0,841
Plug type: European
Cable Connection Length (cm): 215

Type of installation: Free standing
Automatic defrosting in the freezer compartment: Yes
Control panel: Mechanical
Fingerprint proof door: Yes
Antibacterial treatment: NO
Fast freezing: Yes
Reversible doors: Yes
External handle: Yes

CONTROL INDICATOR LIGHTS

Acoustic alarm: Yes

EQUIPMENT

Antibacterial gasket: Yes
Ice cubes tray: 2
Bottle rack type: NO
Adjustable feet front: Yes
Roller (rear): Yes

**PRODUCT INFORMATION
SHEET (UE) 2019/2016**

Supplier name or trademark: TEKA
Supplier's address: C/Cajo, 17, 39011, Santander , Spain
Model identifier: TGF3 270 NF

Type of refrigerating appliance

Design type: NA

Overall dimensions (mm)

Height: 1714

Width: 595

Depth: 655

Total volume (dm³ or l): NA

Airborne acoustical noise emissions (dB(A) re 1 pW): NA

Airborne acoustical noise emission class: NA

Annual energy consumption (kWh/a): NA

Climate class: SN/T

Minimum ambient temperature (°C), for which the refrigerating appliance is suitable: NA

Maximum ambient temperature (°C), for which the refrigerating appliance is suitable: NA

Light source parameters

Light source - Type of light source: NA

Light source - Energy efficiency class: NA

Light source parameters

Light source - Type of light source: NA

Light source - Energy efficiency class: NA

Additional information:

Weblink to the manufacturer's website, where the information in point 4(a) Annex of Commission Regulation (EU) 2019/2019 (1) (b) is found: (a) as determined in accordance with Commission Delegated Regulation (EU) 2019/2015 (2). (b) changes to these items shall not be considered relevant for the purposes of point 4 of Article 4 of Regulation (EU) 2017/1369.

(c) if the product database automatically generates the definitive content of this cell the supplier shall not enter these data.

(1) Commission Regulation (EU) 2019/2019 of 1 October 2019 laying down ecodesign requirements for refrigerating appliances pursuant to Directive 2009/125/EC of the European Parliament and of the Council and repealing Commission Regulation (EC) No 643/2009 (see page 187 of this Official Journal).(2)

(2) Commission Delegated Regulation (EU) 2019/2015 of 11 March 2019 supplementing Regulation (EU) 2017/1369 of the European Parliament and of the Council with regard to energy labelling of light sources and repealing Commission Delegated Regulation (EU) No 874/2012 (see page 68 of this Official Journal).



TGF3 270 NF

ENERGY LABEL

