



RV 8 Wine Cooler for 8 bottles and adjustable temperature control



DESCRIPTION

Wine Cooler for 8 bottles and adjustable temperature control

LIFE STYLE

Easy

COLOURS



REFERENCE

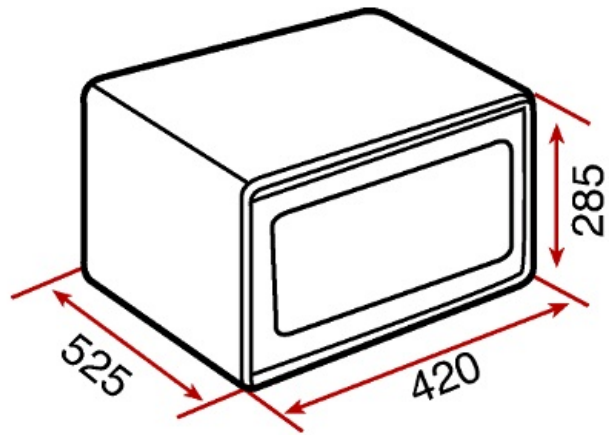
REF. 40682010
EAN. 8421152098172



RV 8

FEATURES

Free standing wine cooler
LCD digital display
Capacity: 8 bottles
Thermoelectric cooling technology
Adjustable temperature for red and white wines (8-18°C)
2 metallic shelves
B
Climate Class: SN
Total gross capacity: 25 litres



DIMENSIONS

Product height (mm): 285
Product width (mm): 420
Product depth (mm): 525
Product length (mm):
Net weight (Kg): 8

TECH SPECS

PRODUCT SHEET

Total gross capacity (litres): 25
Annual Consumption (kWh/year): 170
Climate class: SN/N
Noise level (dB): 25
Certificates: CE;GS;ROHS;

POWER SUPPLY

Frequency (Hz): 60
Power rate (V): 220-240
Power rate (W): 70
Energy consumption (kw/day): 0,47

PARTICULAR CHARACTERISITICS

Type of installation: Free standing
Number of bottles (wine cooler): 8
Control panel: ELECTRONIC
Electronic adjustable thermostat: Yes
Display on door: Yes
External handle: Yes

**PRODUCT INFORMATION
SHEET (UE) 2019/2016**

Bottle rack type: CHROMED

Number of shelves: 2

Supplier name or trademark: TEKA

Supplier's address: C/Cajo, 17, 39011, Santander , Spain

Model identifier: RV 8

Type of refrigerating appliance

Overall dimensions (mm)

Height: 285

Width: 420

Depth: 525

Climate class: SN/N

Light source parameters

Light source parameters

Additional information:

Weblink to the manufacturer's website, where the information in point 4(a) Annex of Commission Regulation (EU) 2019/2019 (1) (b) is found:
(a) as determined in accordance with Commission Delegated Regulation (EU) 2019/2015 (2).

(b) changes to these items shall not be considered relevant for the purposes of point 4 of Article 4 of Regulation (EU) 2017/1369.

(c) if the product database automatically generates the definitive content of this cell the supplier shall not enter these data.

(1) Commission Regulation (EU) 2019/2019 of 1 October 2019 laying down ecodesign requirements for refrigerating appliances pursuant to Directive 2009/125/EC of the European Parliament and of the Council and repealing Commission Regulation (EC) No 643/2009 (see page 187 of this Official Journal).(2)

(2) Commission Delegated Regulation (EU) 2019/2015 of 11 March 2019 supplementing Regulation (EU) 2017/1369 of the European Parliament and of the Council with regard to energy labelling of light sources and repealing Commission Delegated Regulation (EU) No 874/2012 (see page 68 of this Official Journal).

