



EWH 15 Water heater with vertical installation and 15L capacity



Dry Heating Protection



Humidity Control



Overheating Protection



Slim heater

DESCRIPTION

Water heater with vertical installation and 15L capacity

LIFE STYLE

Easy

COLOURS



REFERENCE

REF. 42080015
EAN. 8421152127896



TEKA

EWH 15

FEATURES

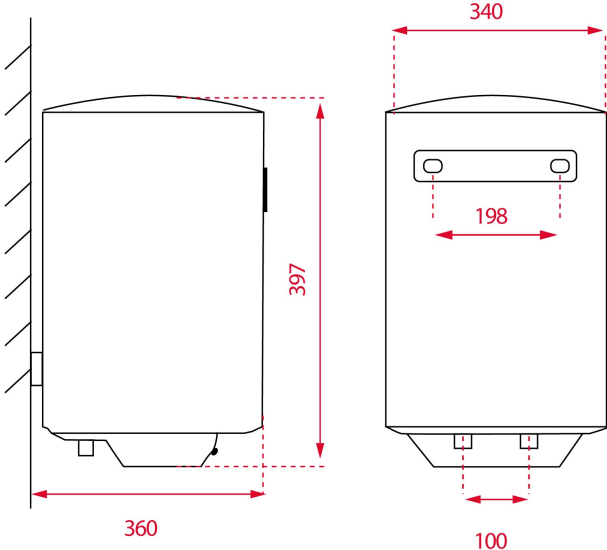
Capacity: 15 litres
Sapphire enamelled tank
Sapphire heating element
Regulation of temperature: 30-75 °C
Pressure valve > 5 bar
Max. Input temperature: 0,75Mpa
Thermometer
Anti Over-pressure protection
Overheat protection
Anti Dry-heating Protection
Waterproof Grade: IPX4
Rated power output 1500 W
Thickness of insulation: 20mm
Water connection: G½
Average number of users: 1



EWH 15

DIMENSIONS

- Product height (mm): 397
- Product width (mm): 340
- Product depth (mm): 340
- Product length (mm):
- Net weight (Kg): 9,83



TECH SPECS

ELECTRIC CONNECTION

- Frequency (Hz): 50
- Power rate (V): 220
- Plug type: EU

MODELS

Control panel: MECHANICAL



EWH 15

ENERGY LABEL

