



EWH 50 D SLIM Slim Water heater with double installation system and 50L capacity



Dry Heating Protection



ELCB Earth Leakage Circuit Breaker



Humidity Control



Overheating Protection



Slim heater



Type of Installation

DESCRIPTION

Slim Water heater with double installation system and 50L capacity

LIFE STYLE

Maestro

COLOURS



REFERENCE

REF. 42080060
EAN. 8421152156834



TEKA

EWH 50 D SLIM

FEATURES

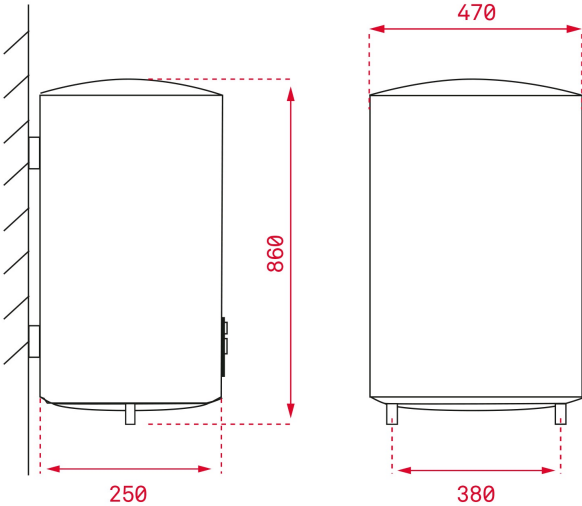
Vertical and horizontal installation
Capacity: 80 litres
Sapphire enamelled tank
Sapphire heating element
Regulation of temperature: 30-75 °C
Pressure valve > 5 bar
Max. Input temperature: 0,75Mpa
Thermometer
Anti Over-pressure protection
Earth leakage circuit breaker ELCB
Overheat protection
Anti Dry-heating Protection
Waterproof Grade: IPX4
Rated power output 1500 W
Thickness of insulation: 20mm
Water connection: G½
Average number of users: 2-4



EWH 50 D SLIM

DIMENSIONS

- Product height (mm): 860
- Product width (mm): 470
- Product depth (mm): 250
- Product length (mm):
- Net weight (Kg): 25,81



TECH SPECS

ELECTRIC CONNECTION

- Frequency (Hz): 50
- Power rate (V): 220
- Plug type: EU

MODELS

Control panel: ELECTRONIC



EWH 50 D SLIM

ENERGY LABEL

